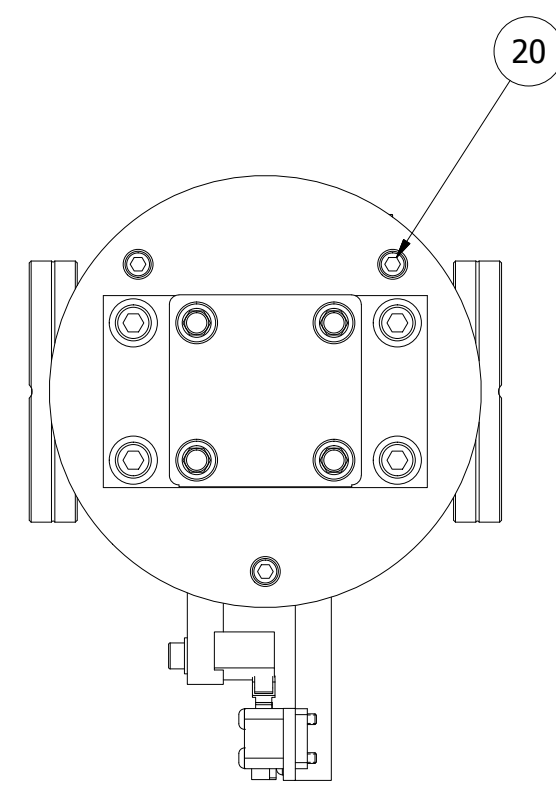
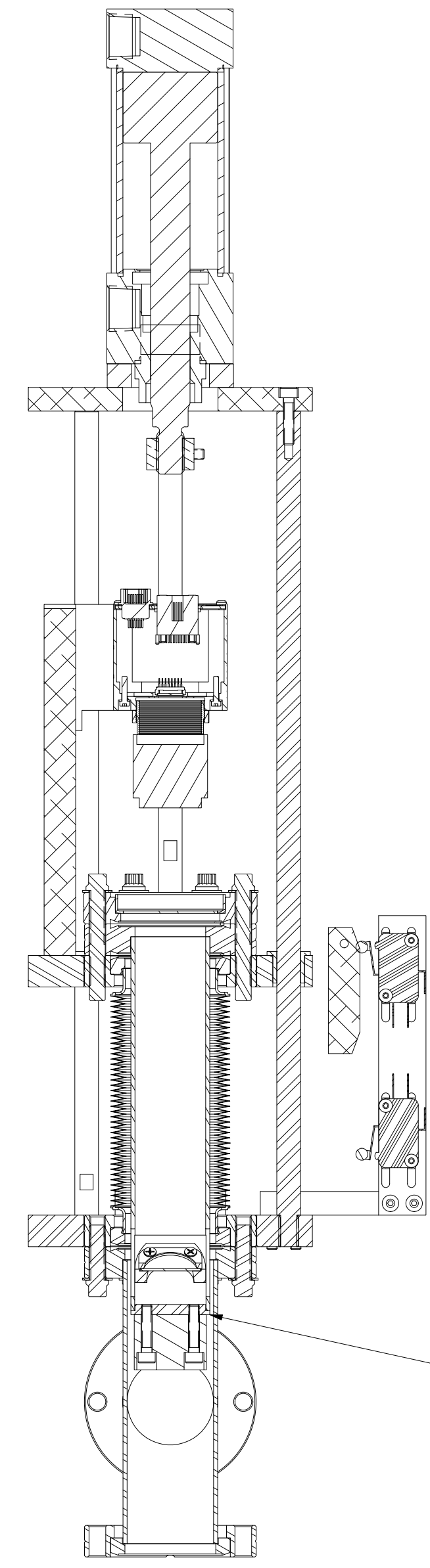
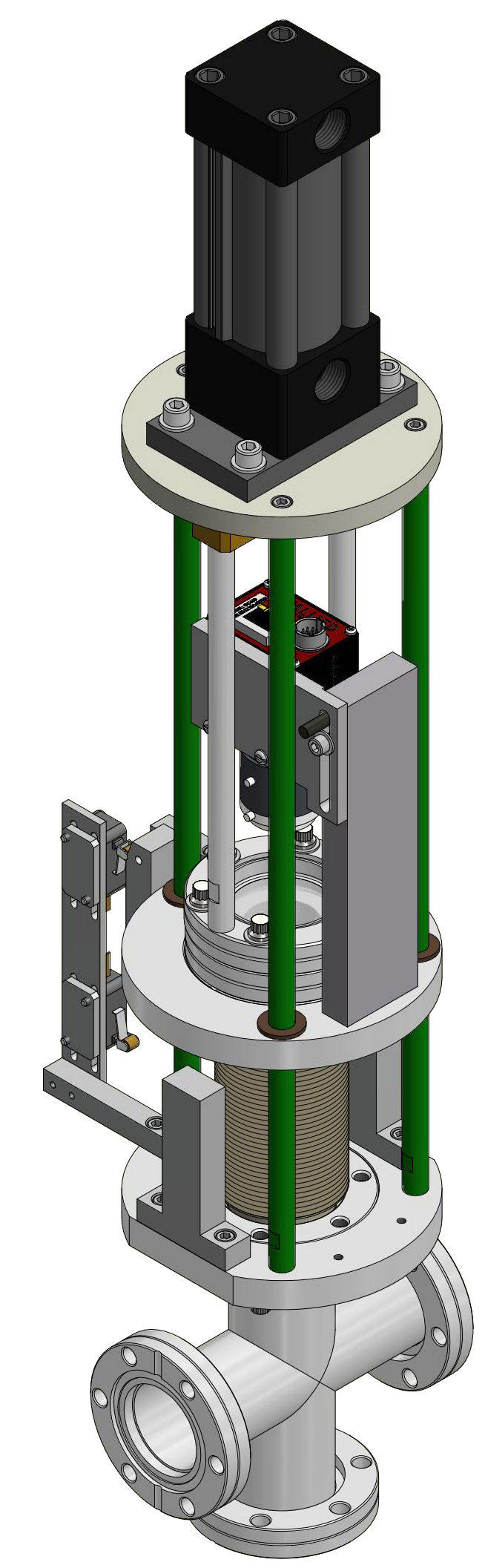
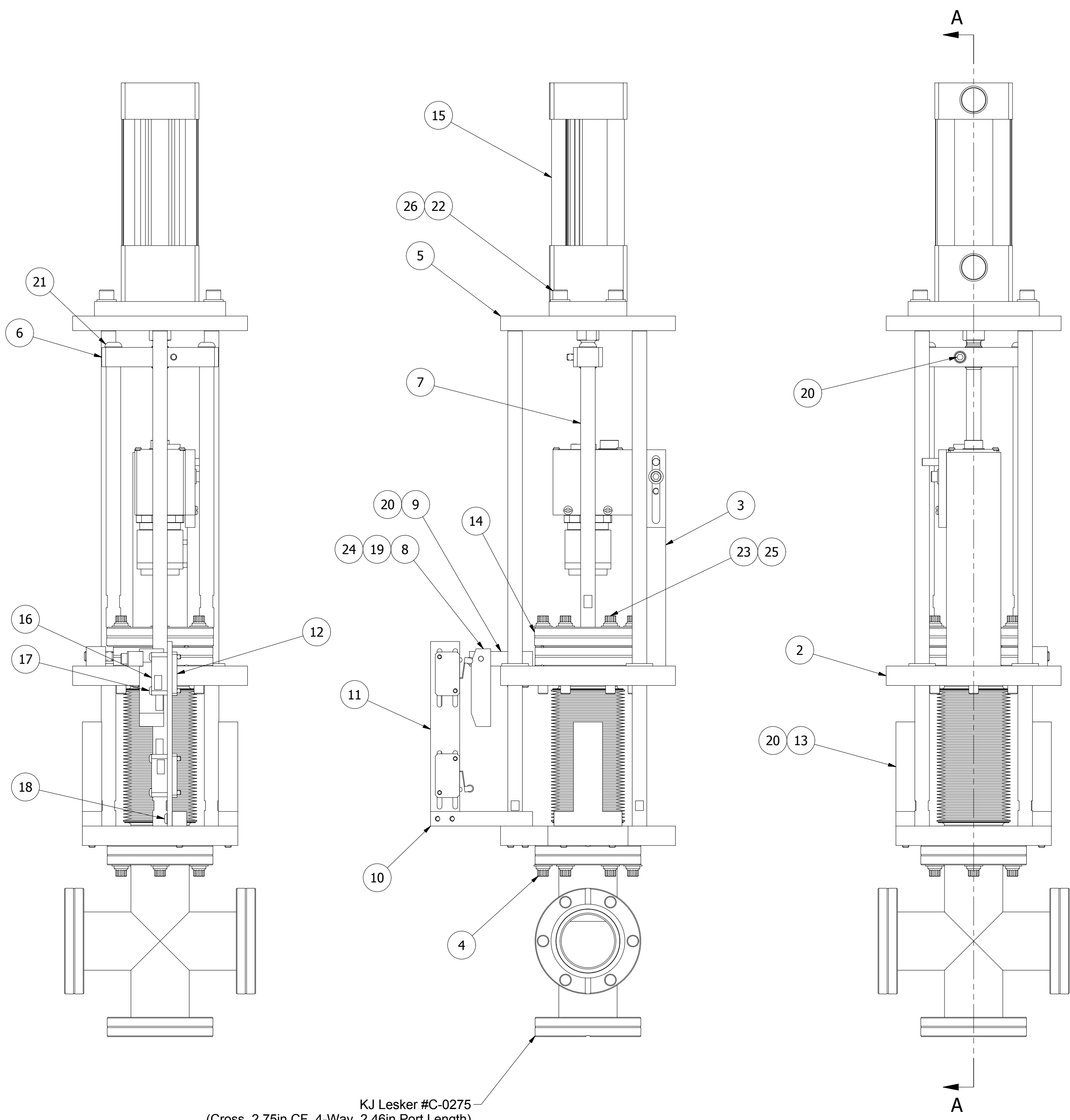


REVISIONS				
SYM	ZONE	DESCRIPTION	DATE	APP
		Initial Release	3/9/18	SWH



**Rear Mount Camera Viewer W/ Beam Stop**  
 FILE NAME: 7208-601  
 SHEET NO.: 1  
 DFT. SCALE: 1:2  
 MATERIAL:  
 QTY: A/R  
 NOTES: 1.) Item 1 Has 3 Versions (1A, 1B, & 1C).  
 The Length Varies Based on Mounting Location.  
 See Sheets 2 & 8 For Details.  
 2.) See Sheet 12 For Various Mounting Locations.



**SECTION A-A**  
**SCALE 1 / 2**

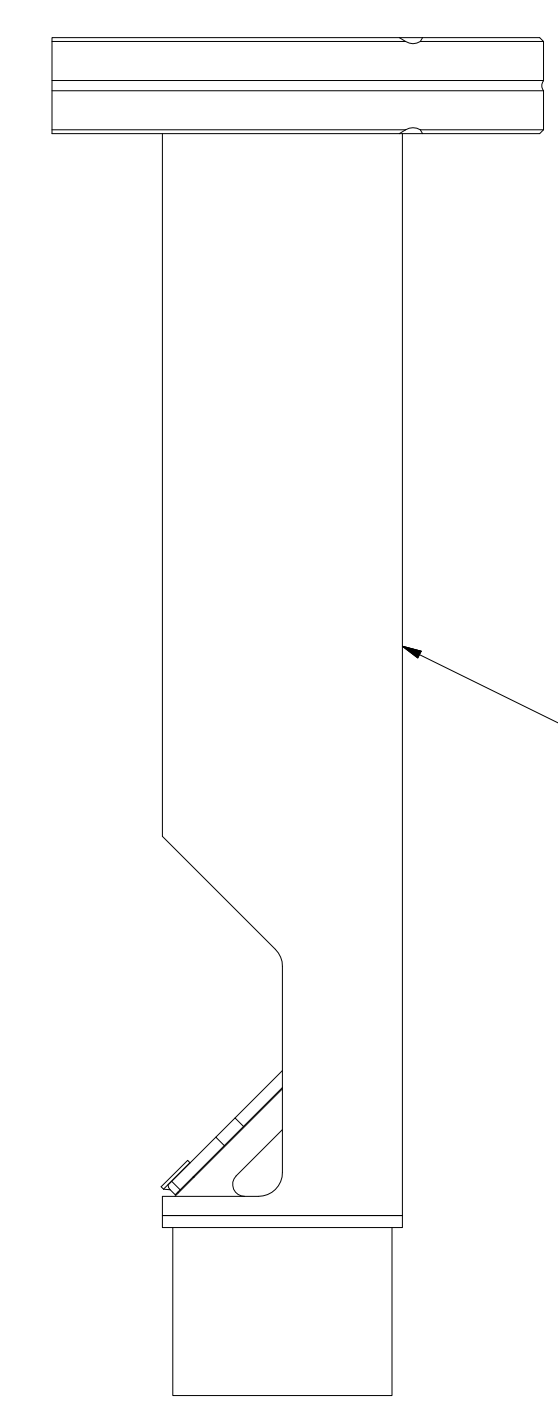
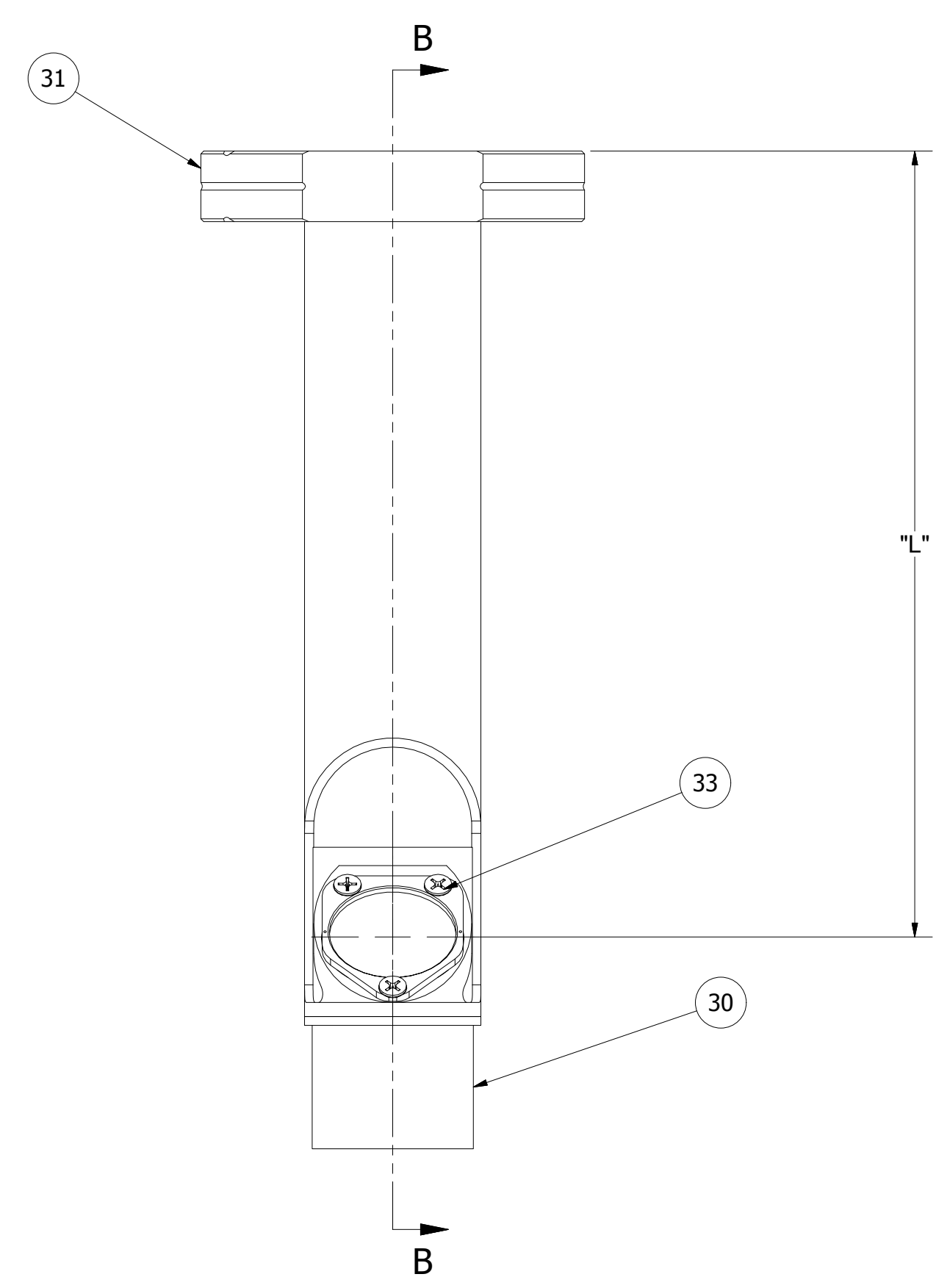
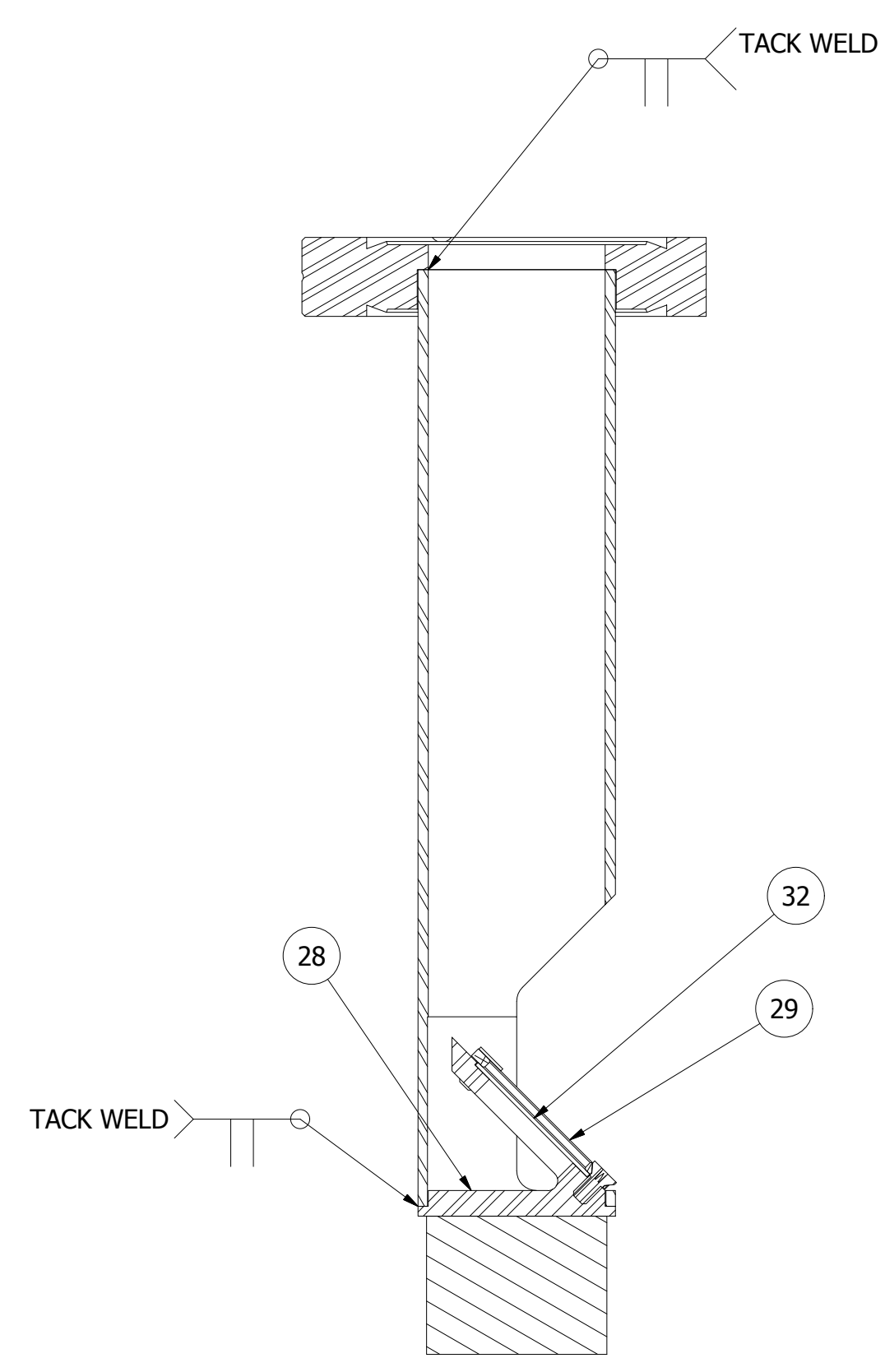
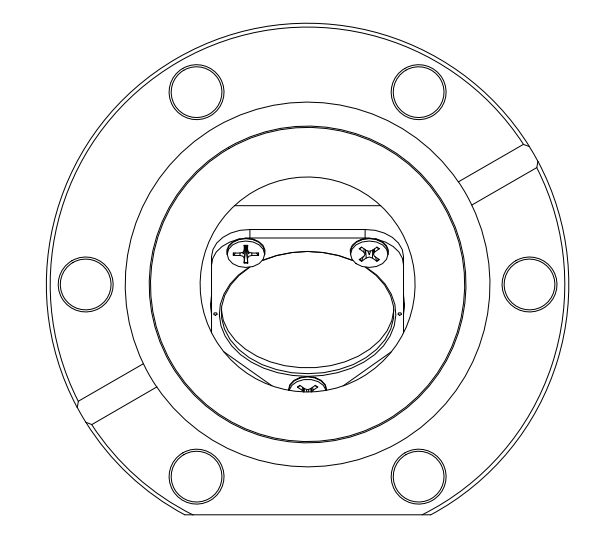
Parts List						
ITEM	QTY	DESCRIPTION	QTY	REMARKS	REV.	
26	PURCHASED	Oversized Flat Washer 0.500 OD 1/4" SST	4			McMaster-Carr #90313A203
25	PURCHASED	Mil Spec Flat Washer 1/4" NAS-620-C416L SST	6			McMaster-Carr #90945A760
24	PURCHASED	Flat Washer #8 SST	1		0	McMaster-Carr #92141A009
23	PURCHASED	12PT 1/4"-28 x 1.75 SST Ag Pltd	6			Duniway #SBN-28-175
22	PURCHASED	SHCS 1/4"-20 x 0.750 SST	4			McMaster-Carr #92196A540
21	PURCHASED	BHSCS 1/4"-20 x 0.750 SST	2			McMaster-Carr #92949A540
20	PURCHASED	SHCS 8-32 x 0.750 SST Ag Pltd	12		0	UC Components #C-812-NA
19	PURCHASED	SHCS 8-32 x 0.750 SST	3			McMaster-Carr #92196A197
18	PURCHASED	BHSCS 6-32 x 0.375 SST	2			McMaster-Carr #92949A146
17	PURCHASED	BHSCS 4-40 x 0.750 SST	4			McMaster-Carr #92949A113
16	PURCHASED	Basic / Snap Action Switch, 10A, Short Hinge Roller Lever, Quick Connect Terminals	2			Omron #V-10G5-1C24-K
15	PURCHASED	Air Cylinder, 250 PSIG, 1.50" Bore, 2.00" Stroke	1			Parker #1.50J4MAU14A2.000
14	SHEET 7	Modified 2.75" CF Flanged Zero Length Kodial Glass Viewport, 304L SST	1			Lesker #VPZL-275
13	SHEET 7	Beam Stop Gauge Block	2			CLASSE
12	SHEET 6	Limit Switch Nut Plate	2			CLASSE
11	SHEET 6	Limit Switch Mount Plate	1			CLASSE
10	SHEET 6	Limit Switch Tie Plate	1			CLASSE
9	SHEET 6	Limit Actuator Tie Plate	1			CLASSE
8	SHEET 6	Limit Actuator	1			CLASSE
7	SHEET 5	Air Cylinder Link Post	2			CLASSE
6	SHEET 5	Air Cylinder Drive Link	1			CLASSE
5	SHEET 5	Cylinder Mount Plate	1			CLASSE
4	SHEET 4	2.75" CF 12-Pt Bolt Tapped Set, English	1			CLASSE
3	SHEET 4	Camera Mount Subassembly	1			CLASSE
2	SHEET 3	Viewer Bellows Subassembly	1			CLASSE
1	SHEET 2	View Screen / Beam Stop Subassembly	1			CLASSE

KJ Lesker #C-0275  
 (Cross, 2.75in CF, 4-Way, 2.46in Port Length)  
 (REF. ONLY)

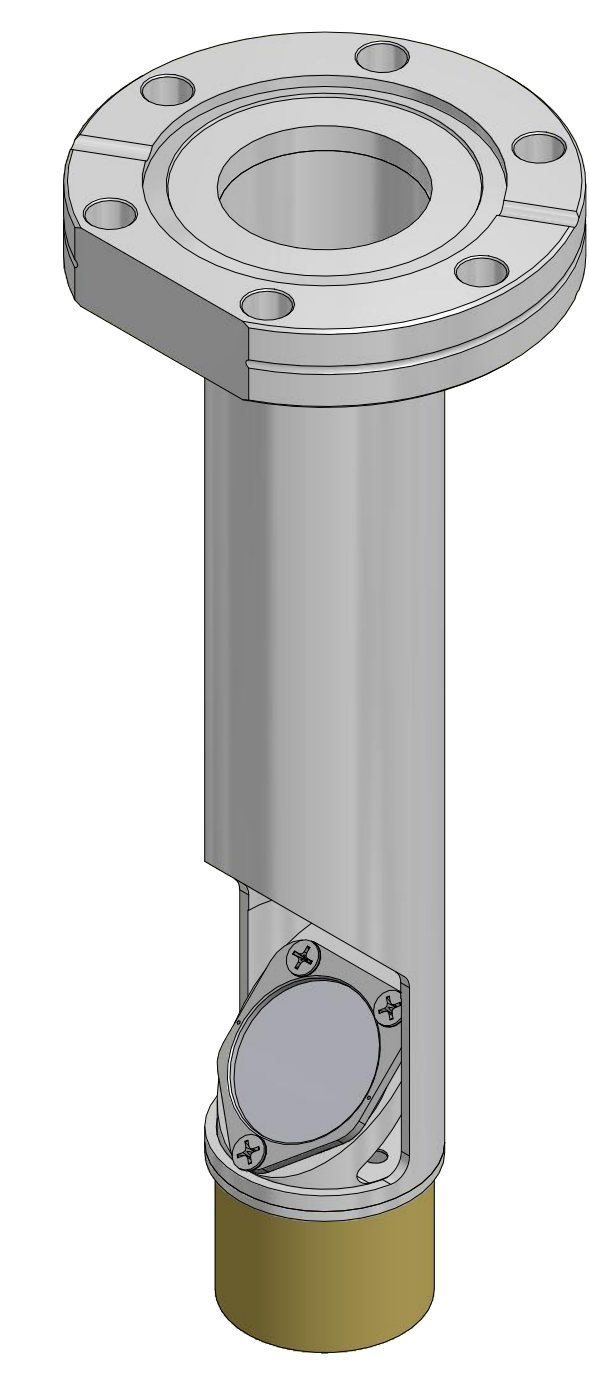
THESE DRAWINGS, WHICH CONTAIN PROPRIETARY INFORMATION, ARE THE PROPERTY OF CORNELL UNIVERSITY. USE OF THESE DRAWINGS BEYOND THE INTENDED PURPOSE IN SUPPORT OF OUR RESEARCH AS DESCRIBED AND FUNDED BY OUR SPONSORING AGENCIES MUST BE NEGOTIATED AND APPROVED IN ADVANCE BY CORNELL UNIVERSITY.

ITEM	DWG. NO.	DESCRIPTION	G1	G2	G3	REMARKS	REV.
			QUANTITY				
PRINT DATE: 3/7/2018 CAD FILE NAME: 7208-601.idw							
<b>D</b> SH. NO. 1 OF 12		CR-1 UNLESS OTHERWISE SPECIFIED: DIMENSIONS ARE IN MILLIMETERS; TOLERANCES ON: X ± .5 XX ± .2 XXX ± .1 ANGLES ± 0.5° ALL SURFACES 1/8"		Cornell Laboratory for Accelerator-based ScienceS and Education (CLASSE)		<b>Rear Mount Camera Viewer W/ Beam Stop Assembly</b>	
CHECKED BY: J Turco APPROVED BY: Y Li	DRAWN BY: S Hartman	DRAWN FOR: Y Li	DATE: 3/7/2018	SCALE: <b>D</b>	<b>7208-601</b> SH. NO. 1 OF 12	REV.	

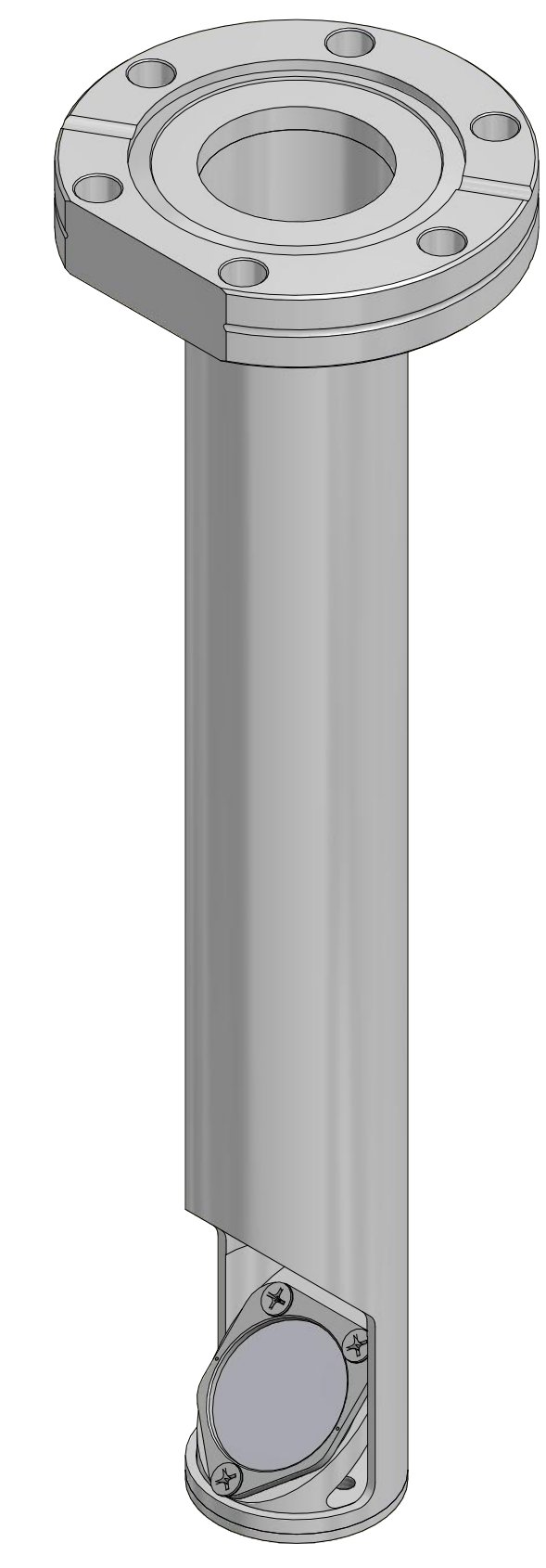
REVISIONS				
SYM	ZONE	DESCRIPTION	DATE	APP
		Initial Release	3/9/18	SWH



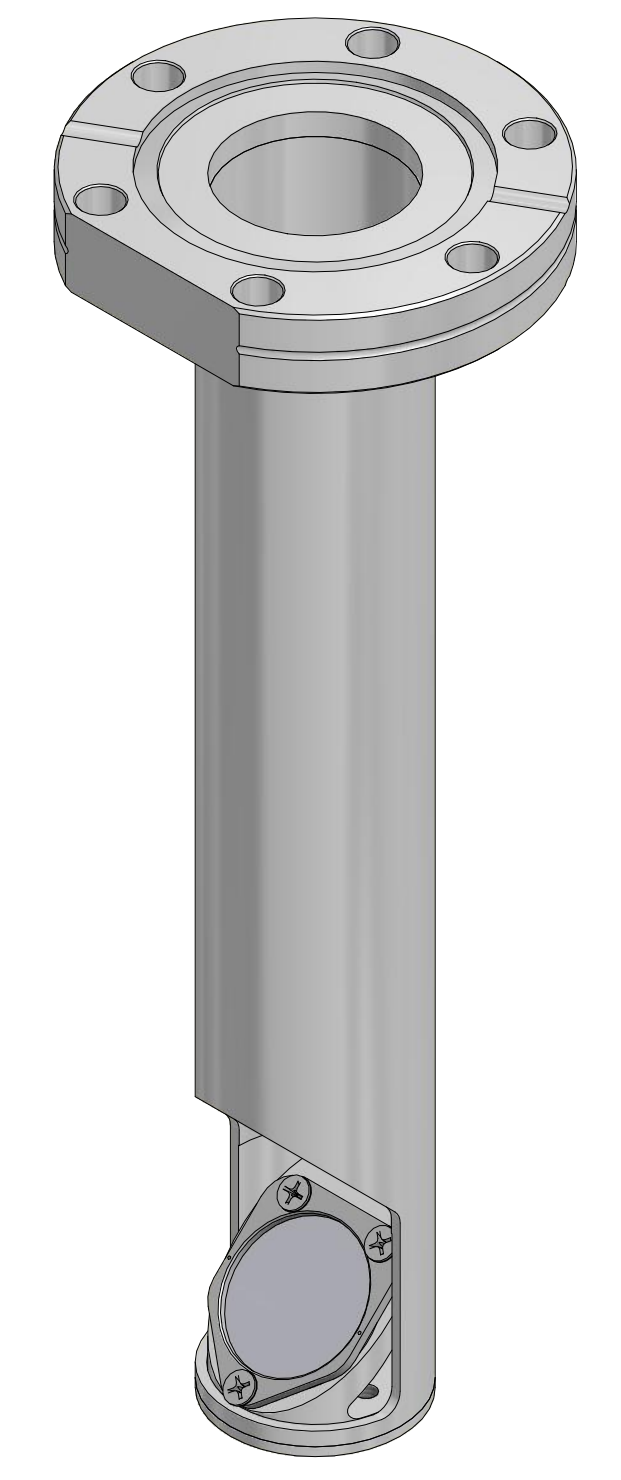
27 See Note 1



ITEM 1A  
(AS SHOWN)



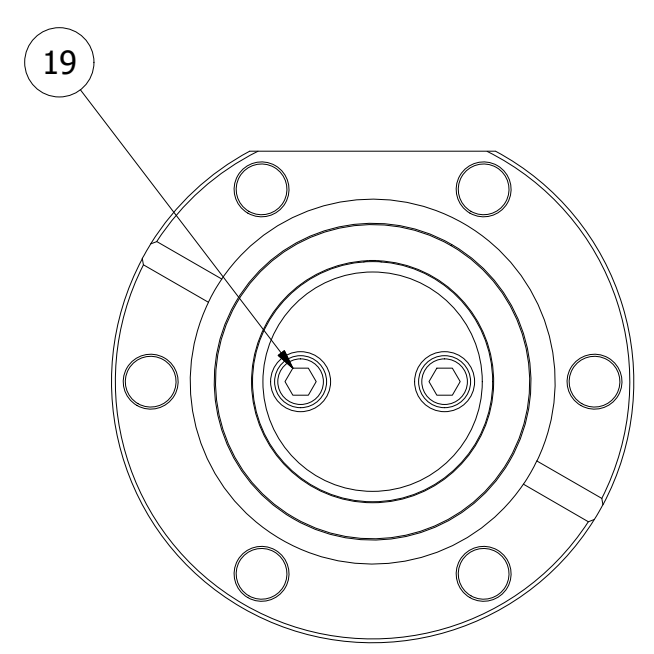
ITEM 1B  
(NO BEAM STOP)



ITEM 1C  
(NO BEAM STOP)

Item #	"L"	Qty
1A	141.68 [5.578]	2
1B	215.06 [8.467]	2
1C	182.07 [7.168]	1

Item #	Quantity	Description	UC Components
33	3	PURCHASED Phillips Flat Head Machine Screw 4-40 x 0.250 SST Ag Pltd, Vented	#F-404-A
32	1	PURCHASED Beryllium Oxide 1.0" Dia. x .025" Disk	Accumet #AE01100D025
31	1	SHEET 7 Modified 2.75" Double-Faced CF, Blank, .50" Thick, Clearance, 304L SST	Lesker #DFF275X000
30	1	SHEET 8 Beam Stop	CLASSE
29	1	SHEET 8 Beryllia Disk Clamp Plate	CLASSE
28	1	SHEET 8 View Screen Holder	CLASSE
27	1	SHEET 8 Viewer Holding Tube	CLASSE
19	2	PURCHASED SHCS 8-32 x 0.750 SST Ag Pltd	UC Components #C-812-NA 0

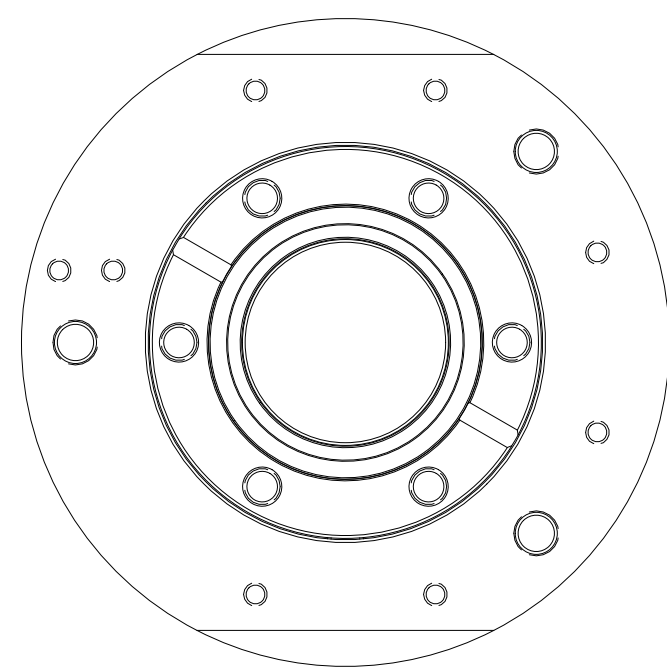
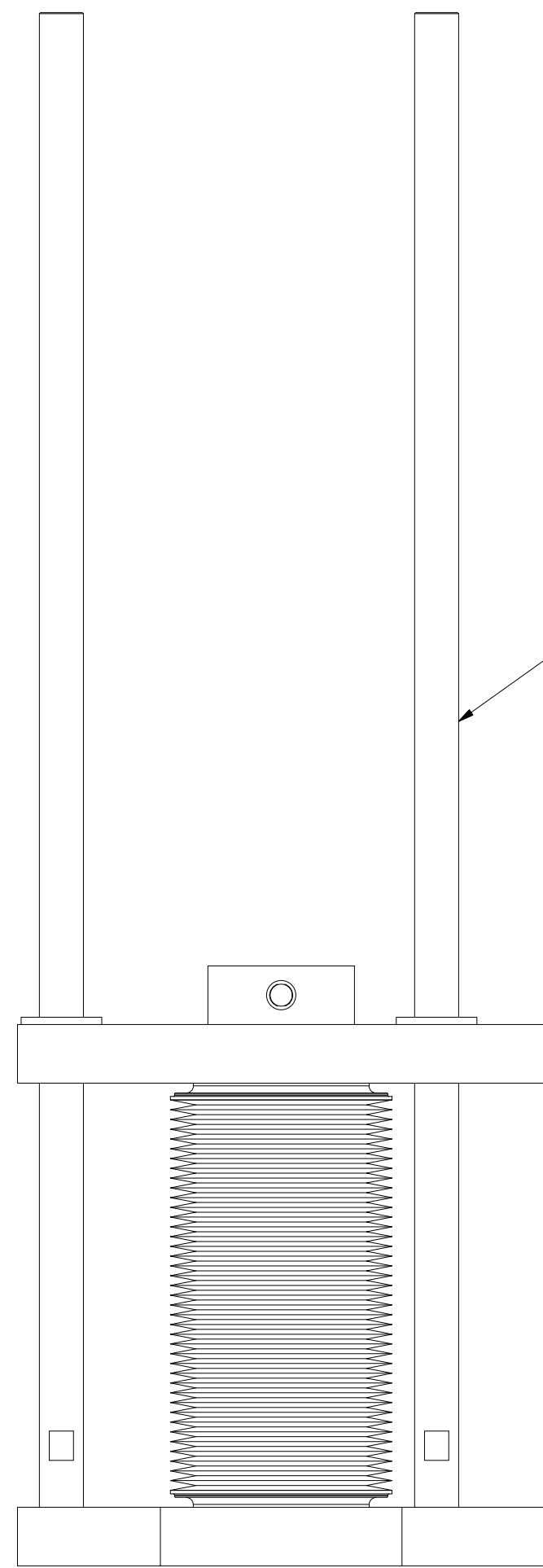
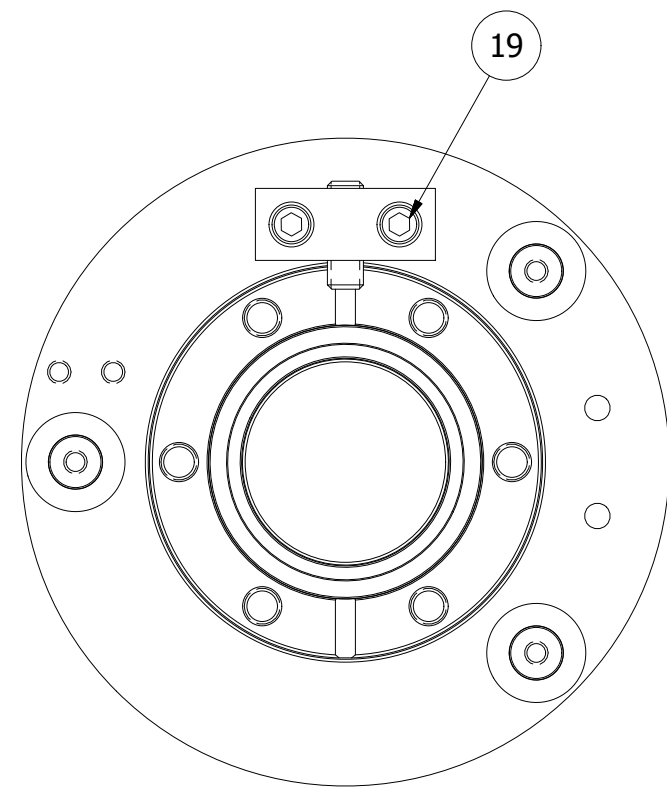


1 View Screen / Beam Stop Subassembly  
 FILE NAME: 7208-601  
 SHEET NO.: 2  
 DFT. SCALE: 1:1  
 MATERIAL:  
 QTY: 1 Per Assembly  
 NOTES: 1.) Item 27 To Be Interchanged For Assemblies 1A, 1B, & 1C See Sheet 8 For Tube Lengths.  
 2.) See Sheet 11 For Weld Jig Setup for View Screen Assembly.

THESE DRAWINGS, WHICH CONTAIN PROPRIETARY INFORMATION, ARE THE PROPERTY OF CORNELL UNIVERSITY. USE OF THESE DRAWINGS BEYOND THE INTENDED PURPOSE IN SUPPORT OF OUR RESEARCH AS DESCRIBED AND FUNDED BY OUR SPONSORING AGENCIES MUST BE NEGOTIATED AND APPROVED IN ADVANCE BY CORNELL UNIVERSITY.

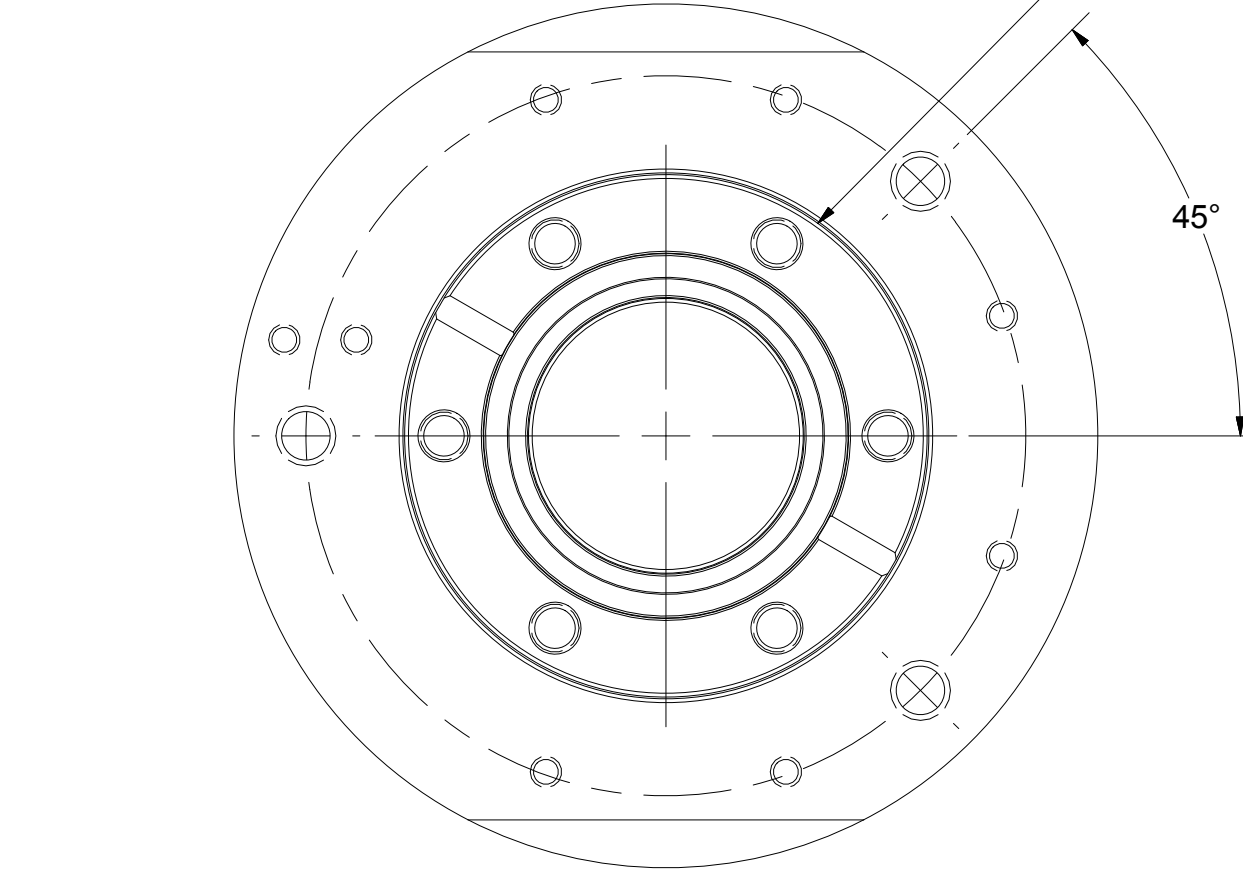
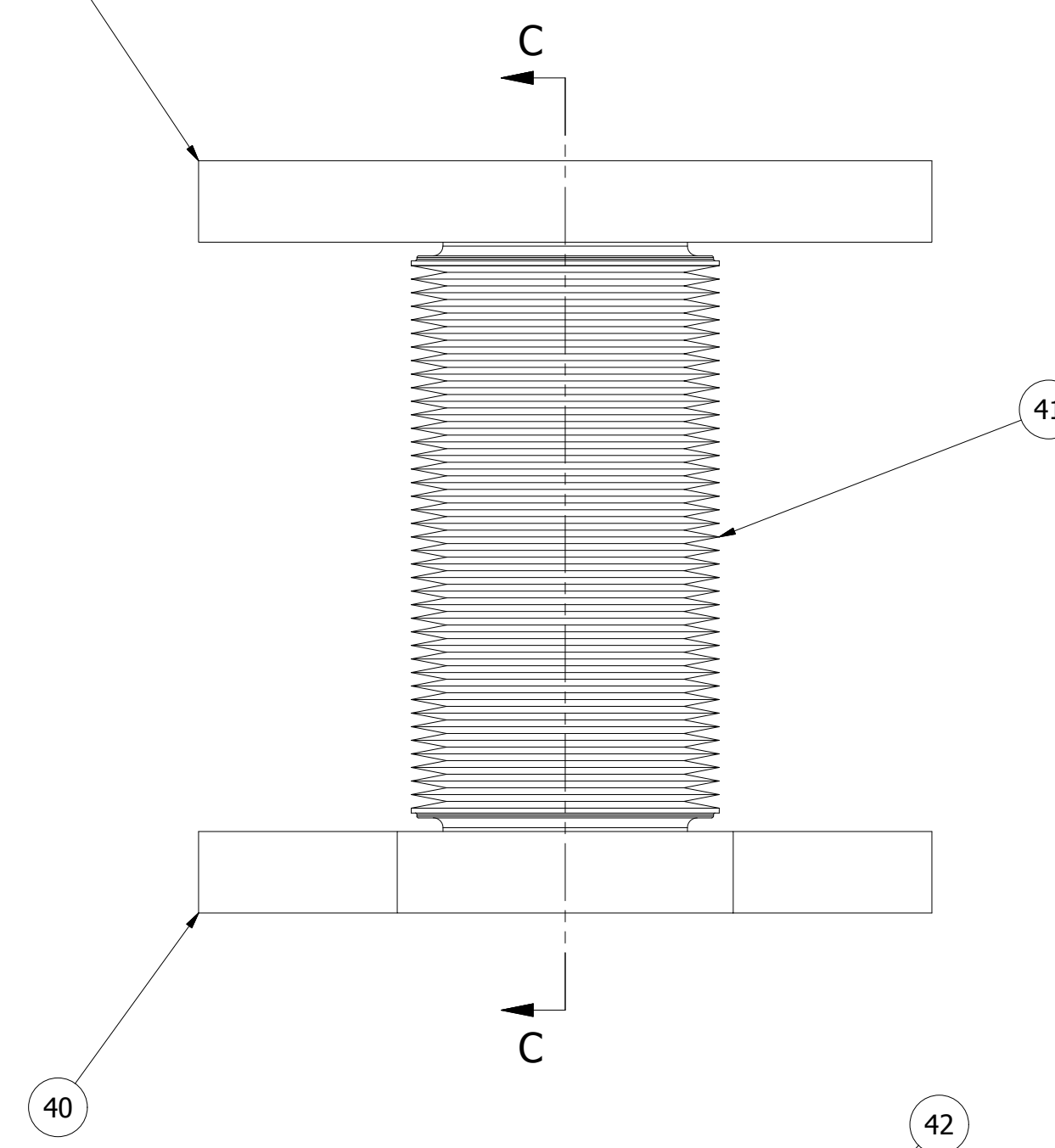
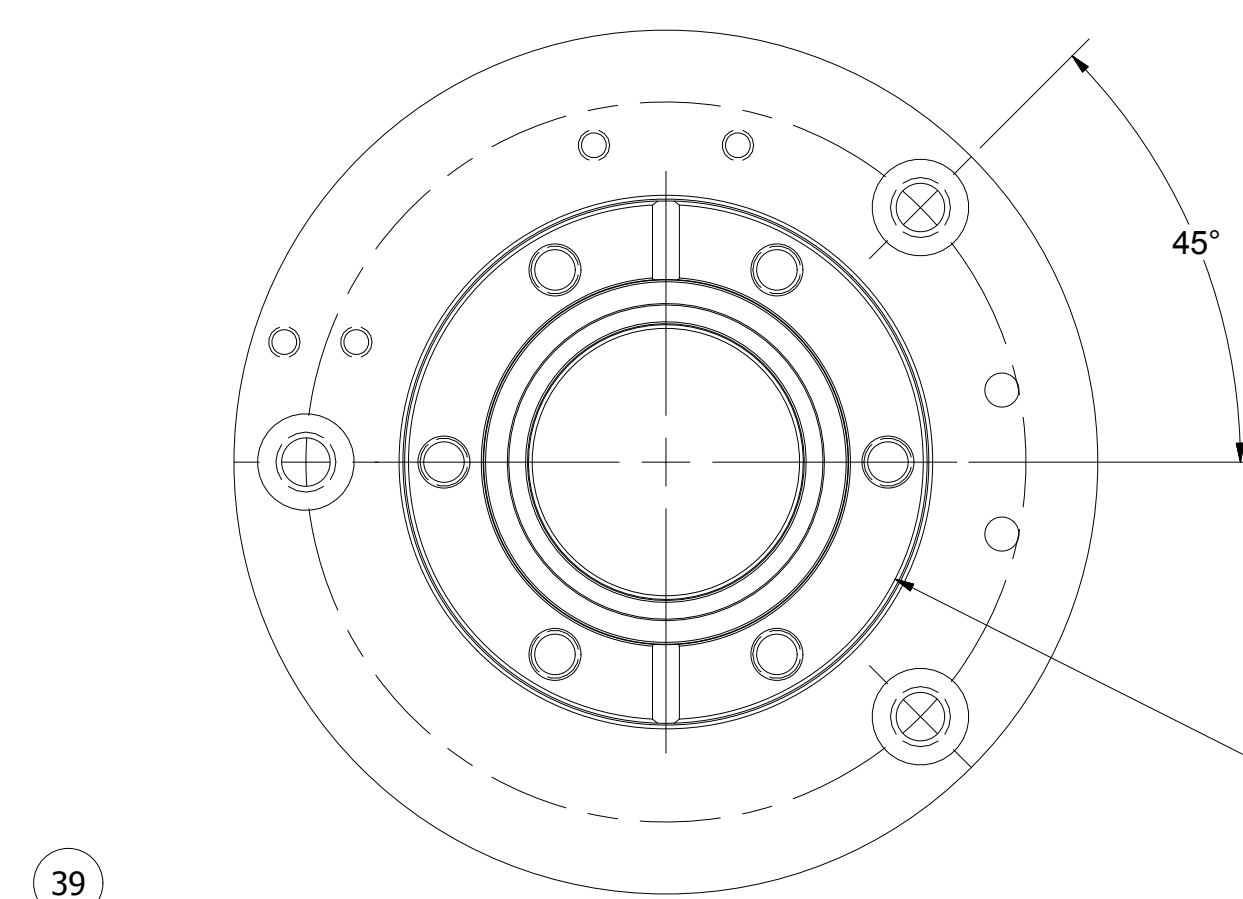
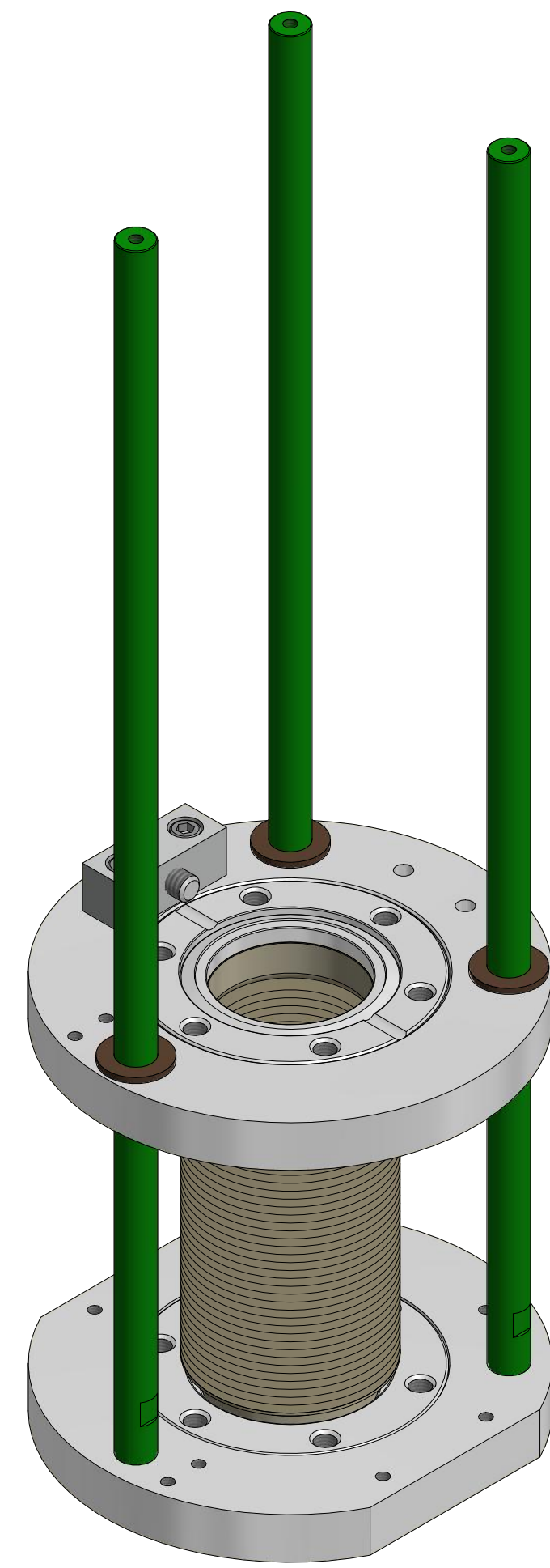
D	PRINT	ITEM	DWG. NO.	DESCRIPTION	G1	G2	G3	REMARKS	REV.
	DISTR.				QUANTITY				
7208-601		3/7/2018		Cornell Laboratory for Accelerator-based ScienceS and Education (CLASSE)					
SH. NO. 2 OF 12		CAD FILE NAME: 7208-601.idw		Rear Mount Camera Viewer W/ Beam Stop View Screen / Beam Stop Subassembly					
REV.	CR-1	UNLESS OTHERWISE SPECIFIED:	DRAWN BY S Hartman						
		DIMENSIONS ARE IN MILLIMETERS:	DATE 3/7/2018		SCALE D		7208-601		
		TOLERANCES ON:	APPROVED BY: Y Li		SH. NO. 2 OF 12		REV.		
		X ± .5							
		XX ± .2							
		XXX ± .1							
		ANGLES ± 0.5°							
		ALL SURFACES 1/8"							

REVISIONS				
SYM	ZONE	DESCRIPTION	DATE	APP
		Initial Release	3/9/18	SWH



**2 Viewer Bellows Subassembly**

FILE NAME: 7208-601  
 SHEET NO.: 3  
 DFT. SCALE: 3:4  
 MATERIAL:  
 QTY: 1 Per Assembly  
 NOTES:

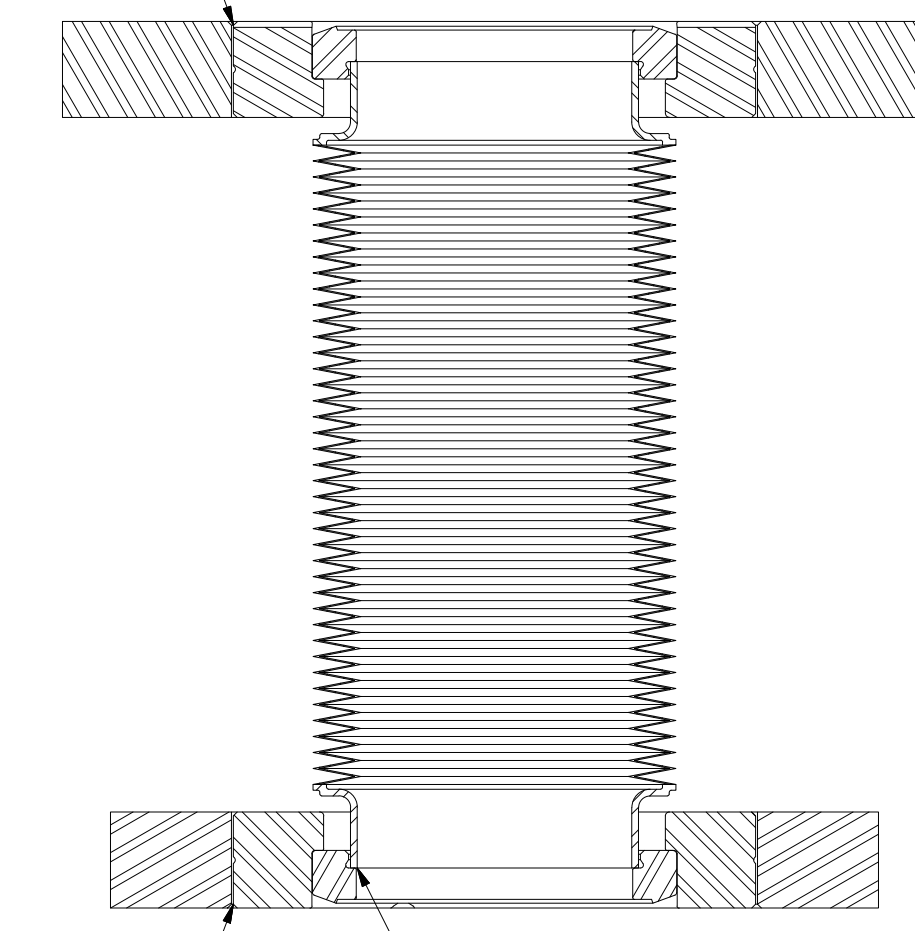


**34 Viewer Bellows Weldment**

FILE NAME: 7208-601  
 SHEET NO.: 3  
 DFT. SCALE: 1:1  
 MATERIAL:  
 QTY: 1 Per Assembly  
 NOTES: 1.) Mount Rings Should Be Welded To Flanges  
 In Orientation Shown Within 0.5 Degrees

TIG WELD  
 (SEE NOTE 1)

TIG WELD  
 (SEE NOTE 1)



SECTION C-C  
 SCALE 1 : 1

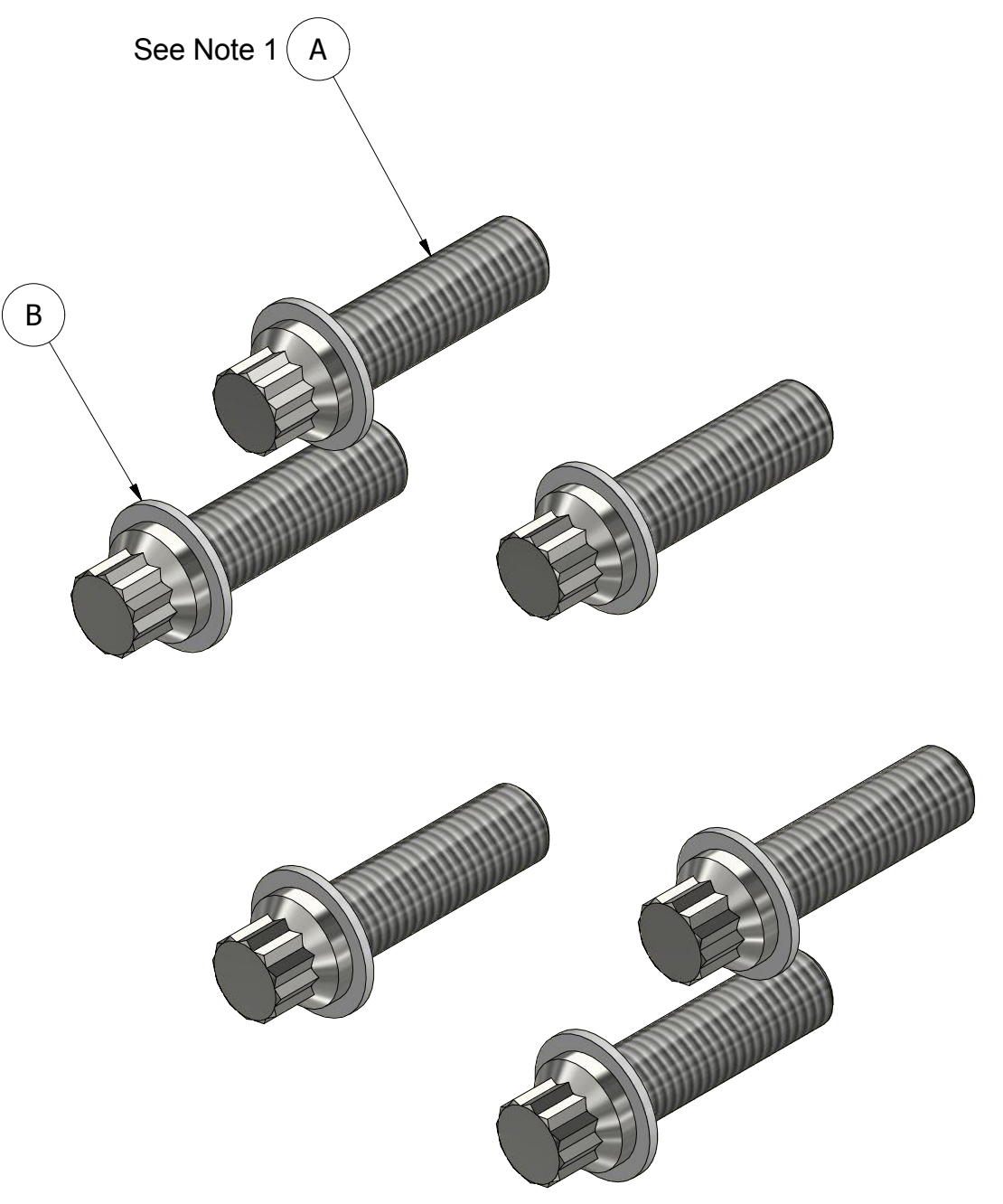
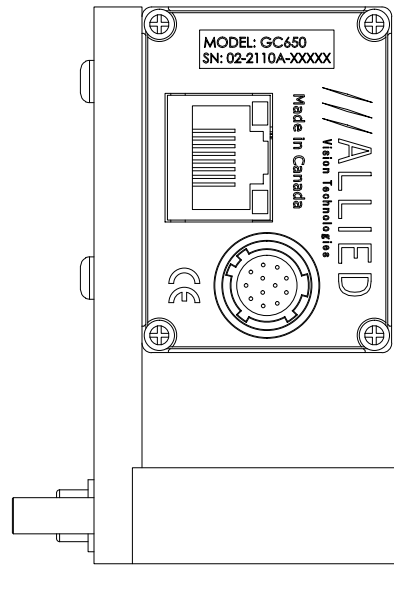
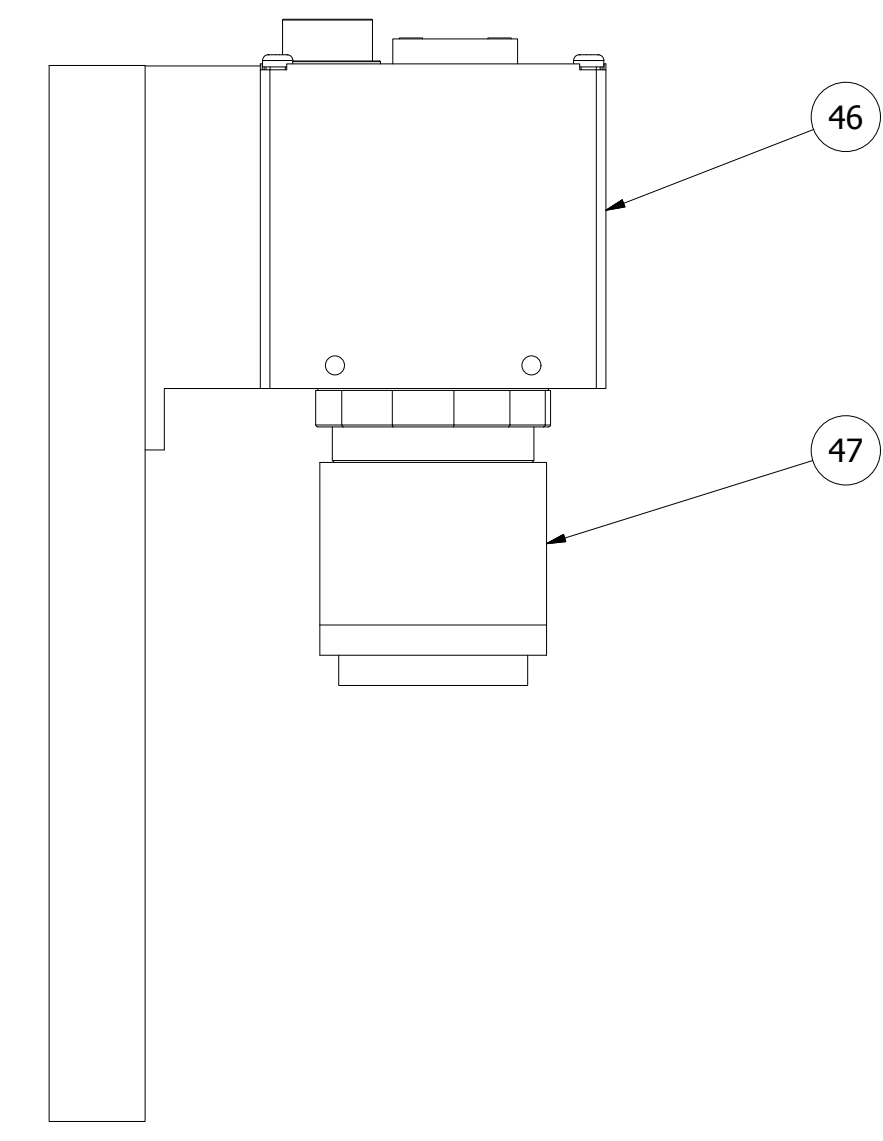
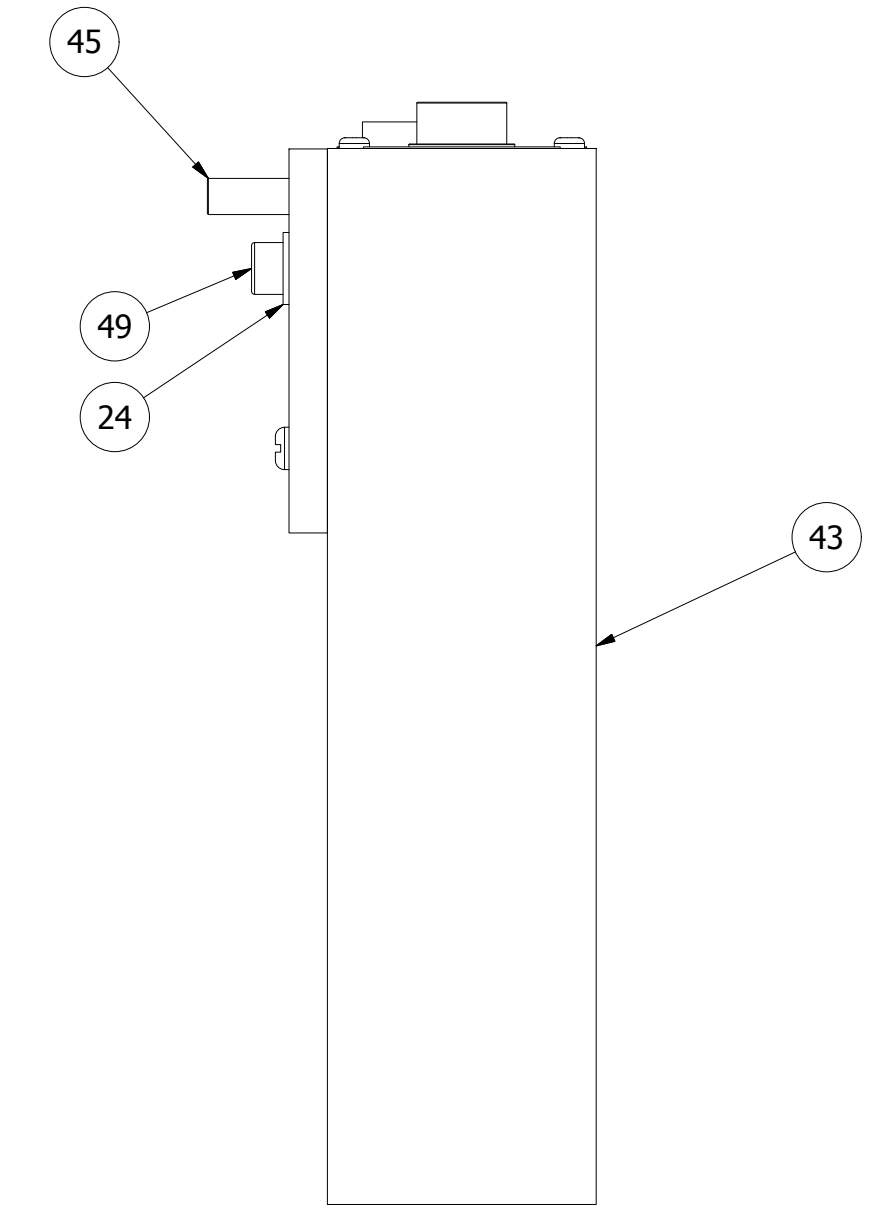
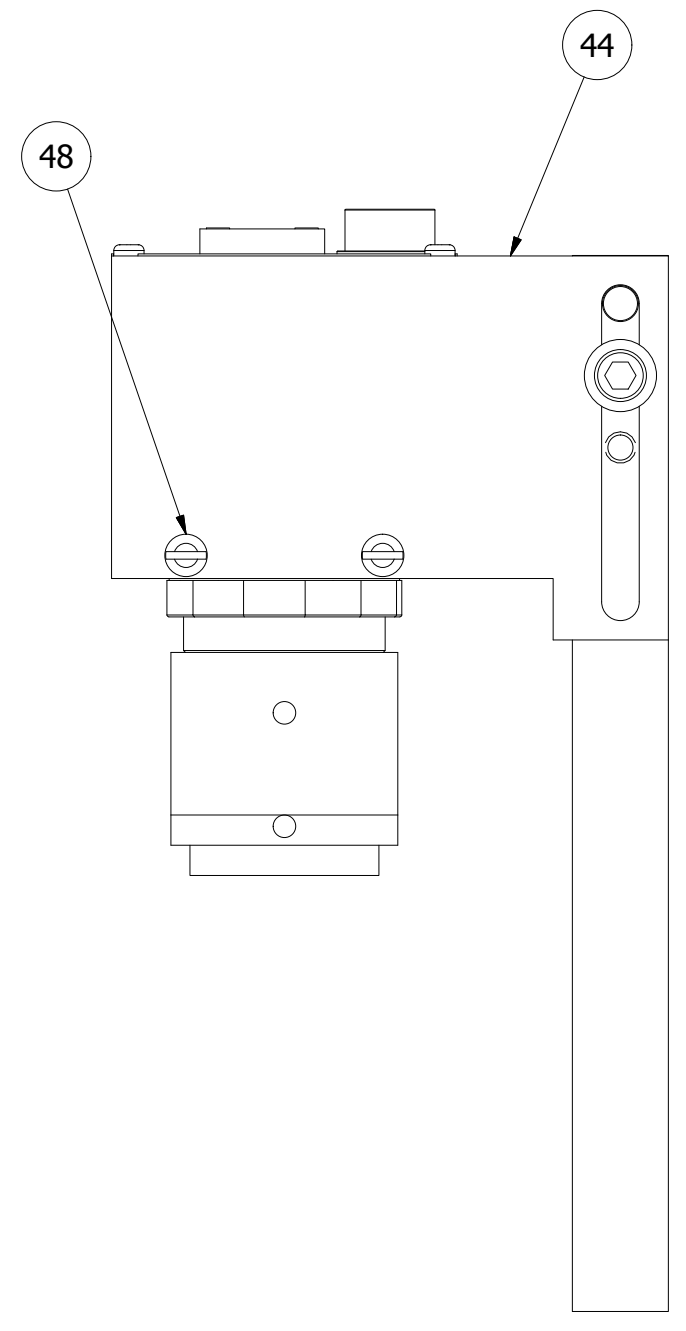
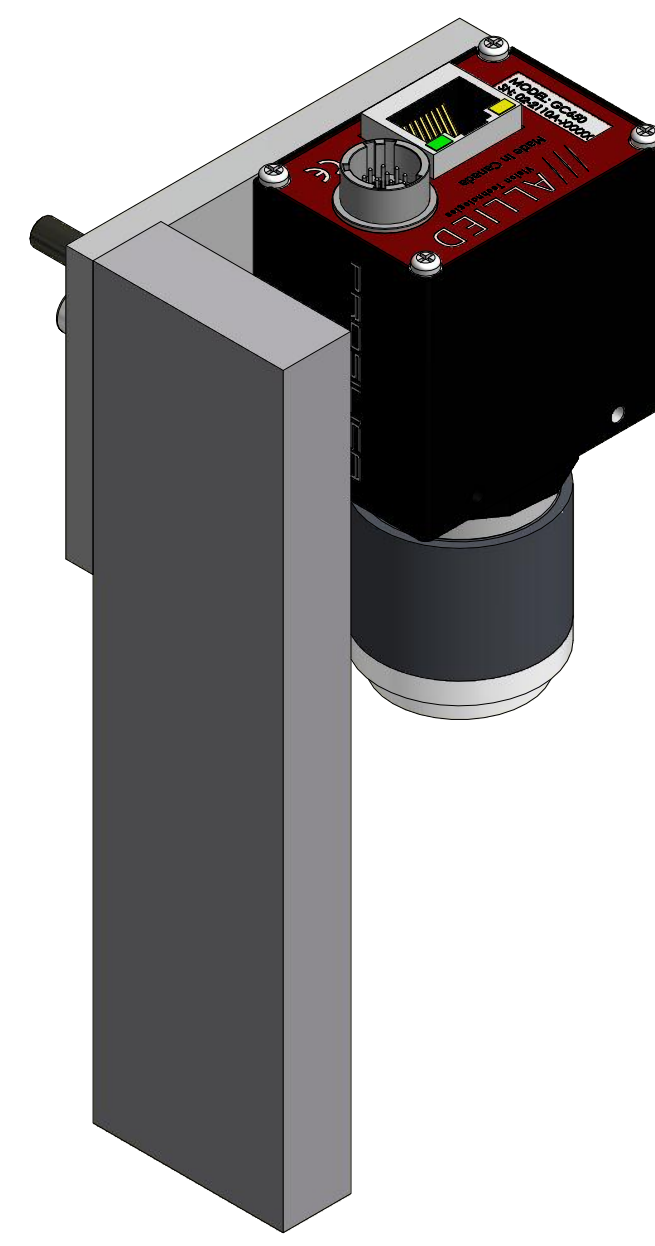
Item #34 Parts List (Viewer Bellows Weldment)					
42	PURCHASED	2-3/4" CF, Bored 1-1/2", Rotatable, Tapped, 304L SST	2		Lesker #F0275X150RT
41	PURCHASED	Precision Welded Bellows, 1.89" OD x 1.39" ID, 2.85" Stroke	1		SBC #189-139-5-EE
40	SHEET 9	Bellows Flange Tapped Mount Ring	1		CLASSE
39	SHEET 9	Bellows Flange Bushing Mount Ring	1		CLASSE
Item #2 Parts List (Viewer Bellows Subassembly)					
38	PURCHASED	SHSS Flat Pt 1/4"-20 x 0.750 SST	1		McMaster-Carr #94355A544
37	PURCHASED	High Temperature Dry-Running Flanged Sleeve Bearing, 3/8" ID, 1/2" OD, 1/2" Long, SAE 841 Bronze	3		McMaster-Carr #9440T17
36	SHEET 9	Flange Alignment Block	1		CLASSE
35	SHEET 9	Bellows Guide Shaft	3		CLASSE
34	SHEET 3	Viewer Bellows Weldment	1		CLASSE
19	PURCHASED	SHCS 8-32 x 0.750 SST Ag Pltd	2		UC Components #C-812-NA 0

ITEM	DWG. NO.	DESCRIPTION	G1	G2	G3	REMARKS	REV.
			QUANTITY				
<b>D</b>	PRINT DISTR.	PLOT DATE: 3/7/2018 CAD FILE NAME: 7208-601.idw					
7208-601	CR-1	UNLESS OTHERWISE SPECIFIED: DIMENSIONS ARE IN MILLIMETERS; TOLERANCES ON: X ± .5 XX ± .2 XXX ± .1 ANGLES ± 0.5° ALL SURFACES 1/8"	Cornell Laboratory for Accelerator-based ScienceS and Education (CLASSE)				
		THESE DRAWINGS, WHICH CONTAIN PROPRIETARY INFORMATION, ARE THE PROPERTY OF CORNELL UNIVERSITY. USE OF THESE DRAWINGS BEYOND THE INTENDED PURPOSE IN SUPPORT OF OUR RESEARCH AS DESCRIBED AND FUNDED BY OUR SPONSORING AGENCIES MUST BE NEGOTIATED AND APPROVED IN ADVANCE BY CORNELL UNIVERSITY.	<b>Rear Mount Camera Viewer W/ Beam Stop          Viewer Bellows Subassembly</b>				
	CHECKED BY: J Turco APPROVED BY: Y Li	DRAWN BY: S Hartman DRAWN FOR: Y Li DATE: 3/7/2018	SCALE: <b>D</b>	7208-601	REV.:		
				SH. NO 3 OF 12			

REVISIONS				
SYM	ZONE	DESCRIPTION	DATE	APP
		Initial Release	3/9/18	SWH

**3 Camera Mount Subassembly**

FILE NAME: 7208-601  
 SHEET NO.: 4  
 DFT. SCALE: 1:1  
 MATERIAL:  
 QTY: 1 Per Assembly  
 NOTES:



**4 2.75" CF 12-Pt Bolt Tapped Set, English**

FILE NAME: 7208-601  
 SHEET NO.: 4  
 DFT. SCALE: 2:1  
 MATERIAL:  
 QTY: 1 Per Assembly  
 NOTES: 1.) Lesker #TBK25028088P includes 25 bolts and 25 washers

ITEM	PART NUMBER	DESCRIPTION	QTY	QTY2	QTY3	VENDOR	REV.
B	PURCHASED	Mil Spec Flat Washer 1/4" NAS-620-C416L SST	6			McMaster-Carr #90945A760	
A	PURCHASED	12PT 1/4"-28 x 0.875 SST Ag Pltd	6			Lesker #TBK25028088P	

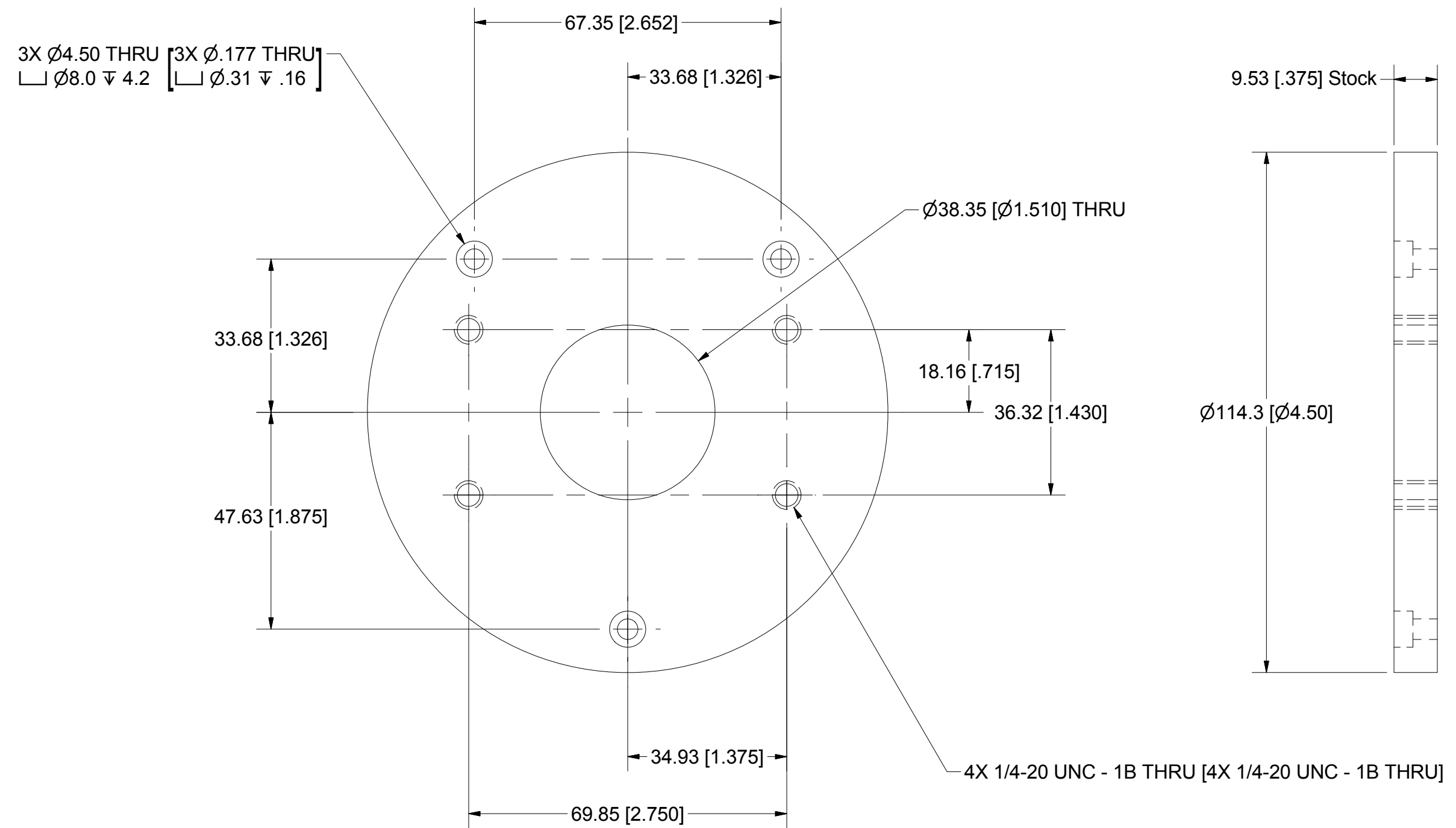
Item #4 Parts List (2.75" CF 12-Pt Bolt Tapped Set, English)

Item #3 Parts List (Camera Mount Subassembly)							
ITEM	PURCHASED	DESCRIPTION	QTY	QTY2	QTY3	VENDOR	REV.
49	PURCHASED	SHCS 8-32 x 0.500 SST	1			McMaster-Carr #92196A194	
48	PURCHASED	Slotted Pan Head Screw M3x0.5 x 8mm SST	2			McMaster-Carr #91200A114	
47	PURCHASED	FA/Machine Vision Fixed Focal Lens, 25mm Focal Length, Manual Adjustment	1			Fujifilm #HF25HA-1B	
46	PURCHASED	Machine Vision Camera, Prosilica GC, 90fps, Monochrome	1			Allied Vision #Prosilica GC650-01	
45	SHEET 10	Pin Modification	1			CLASSE	
44	SHEET 10	Camera Side Mount Plate	1			CLASSE	
43	SHEET 10	Camera Base Mounting Plate	1			CLASSE	
24	PURCHASED	Flat Washer #8 SST	1			McMaster-Carr #92141A009	0

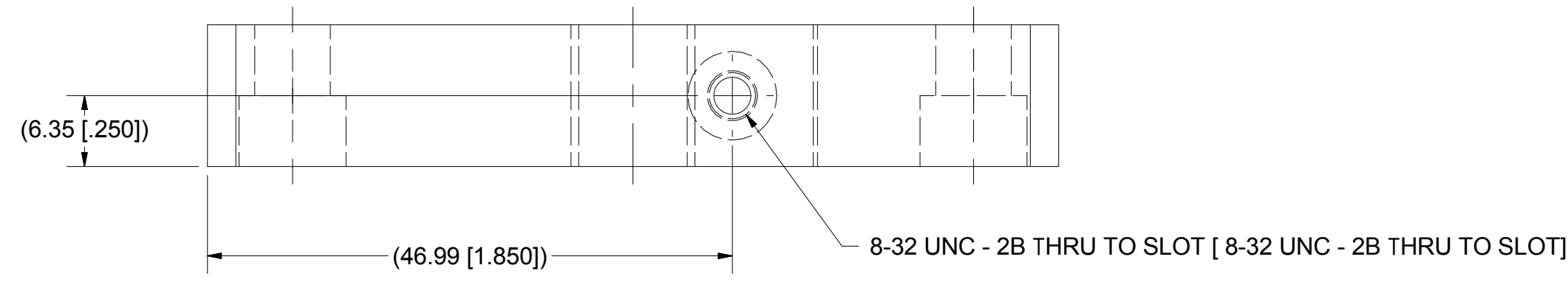
D	PRINT	PLOT DATE: 3/7/2018				
	DISTR.	CAD FILE NAME: 7208-601.idw				
7208-601	CR-1	UNLESS OTHERWISE SPECIFIED: DIMENSIONS ARE IN MILLIMETERS; TOLERANCES ON: X ± .5 XX ± .2 XXX ± .1 ANGLES ± 0.5° ALL SURFACES 1/8	Cornell Laboratory for Accelerator-based ScienceS and Education (CLASSE)			
			Rear Mount Camera Viewer W/ Beam Stop Camera Mount Subassembly			
REV.	CHECKED BY: J Tuico	DRAWN BY: S Hartman	DRAWN FOR: Y Li	DATE: 3/7/2018	SCALE: D	7208-601 SH. NO. 4 OF 12
	APPROVED BY: Y Li					

THESE DRAWINGS, WHICH CONTAIN PROPRIETARY INFORMATION, ARE THE PROPERTY OF CORNELL UNIVERSITY. USE OF THESE DRAWINGS BEYOND THE INTENDED PURPOSE IN SUPPORT OF OUR RESEARCH AS DESCRIBED AND FUNDED BY OUR SPONSORING AGENCIES MUST BE NEGOTIATED AND APPROVED IN ADVANCE BY CORNELL UNIVERSITY.

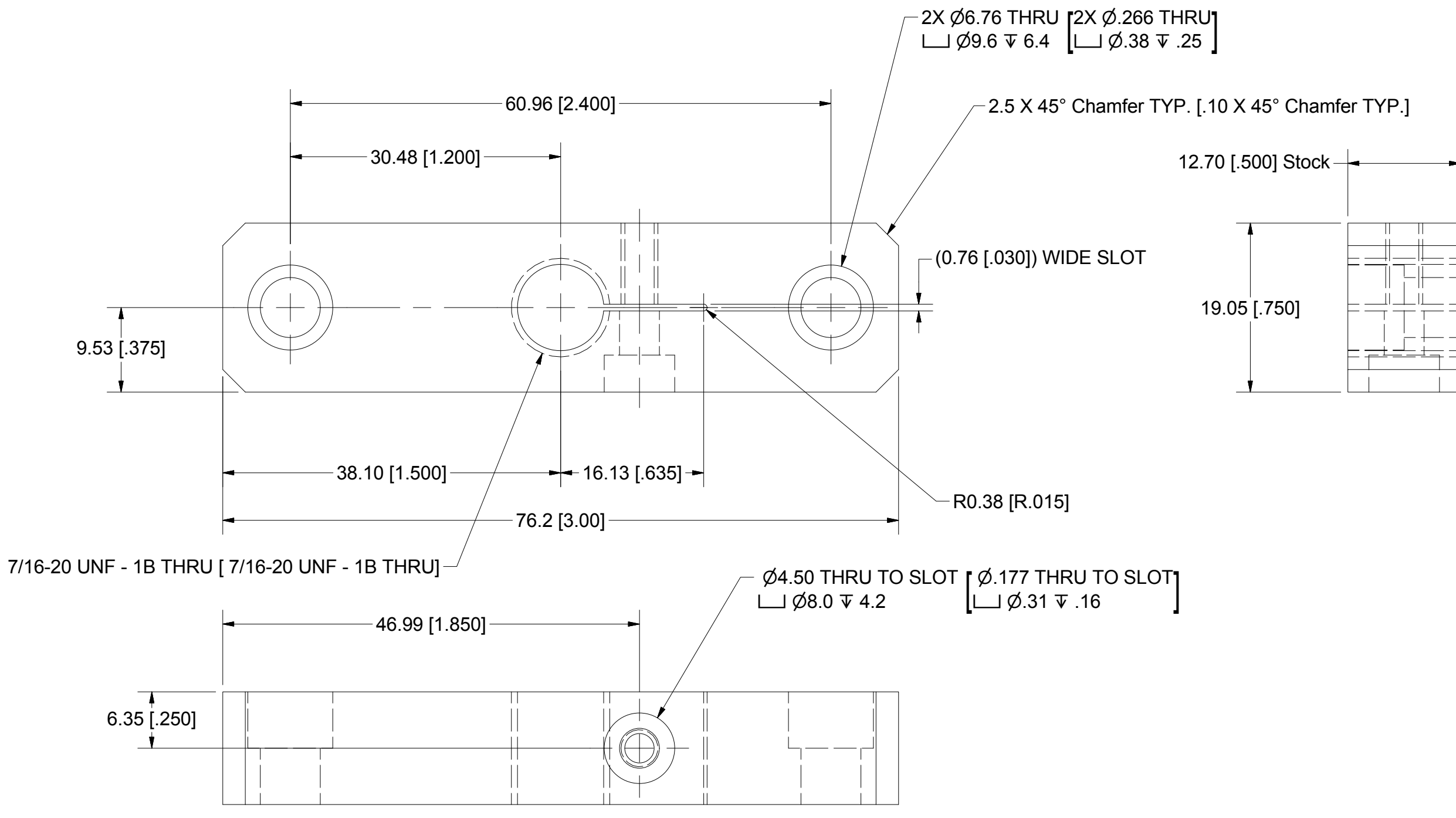
REVISIONS				
SYM	ZONE	DESCRIPTION	DATE	APP
		Initial Release	3/9/18	SWH



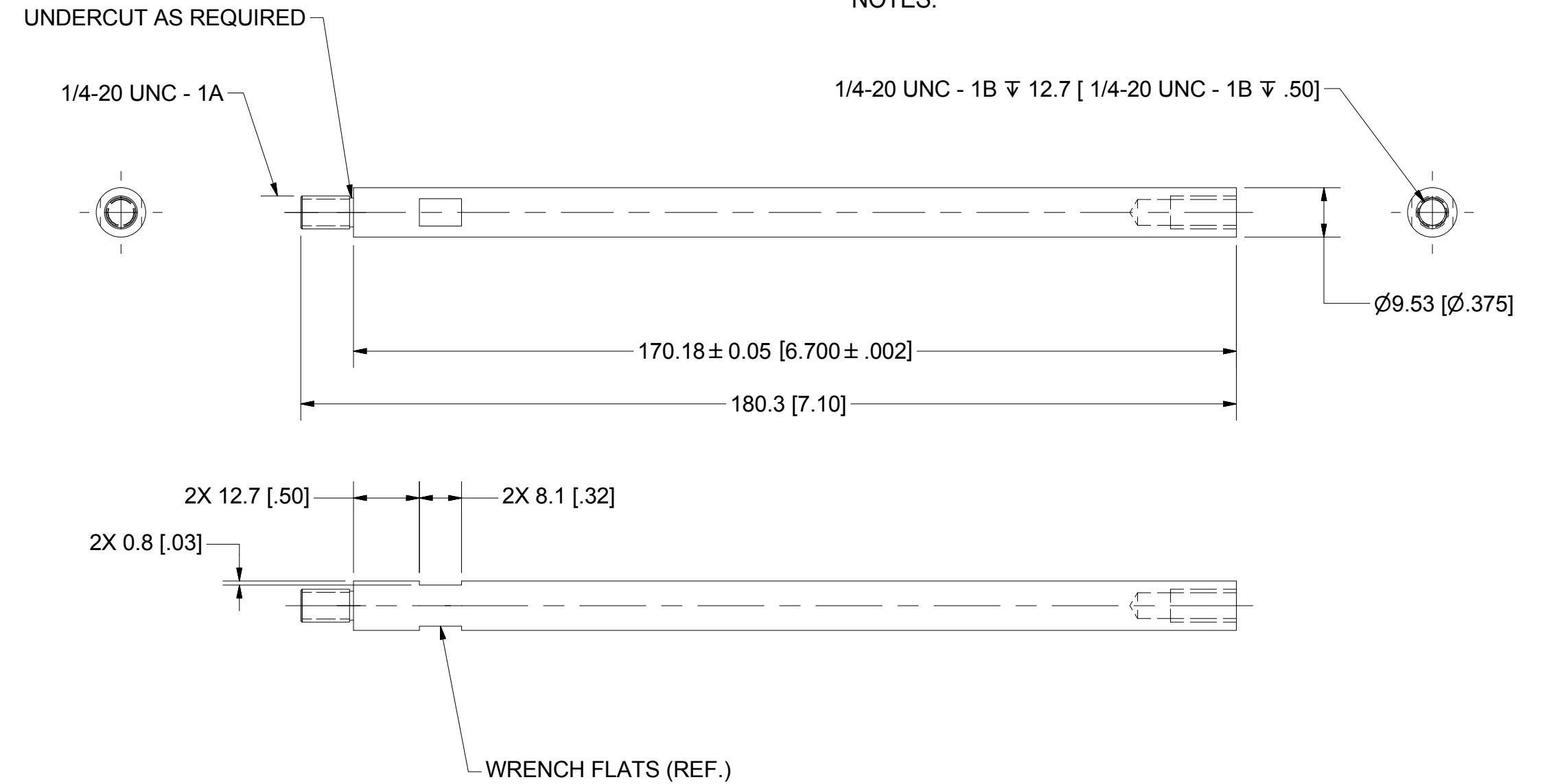
**5** Cylinder Mount Plate  
 FILE NAME: 7208-601  
 SHEET NO.: 5  
 DFT. SCALE: 1:1  
 MATERIAL: 6061-T6 Aluminum  
 QTY: 1 Per Assembly  
 NOTES:



**6** Air Cylinder Drive Link  
 FILE NAME: 7208-601  
 SHEET NO.: 5  
 DFT. SCALE: 2:1  
 MATERIAL: 360 Brass  
 QTY: 1 Per Assembly  
 NOTES:



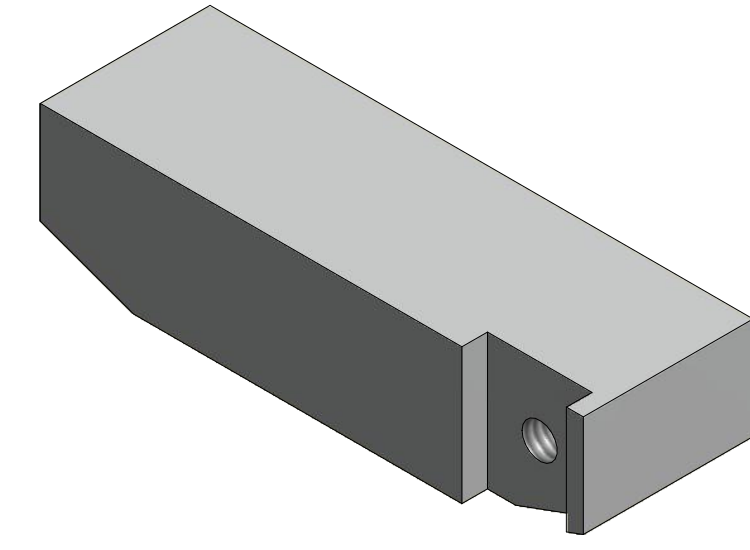
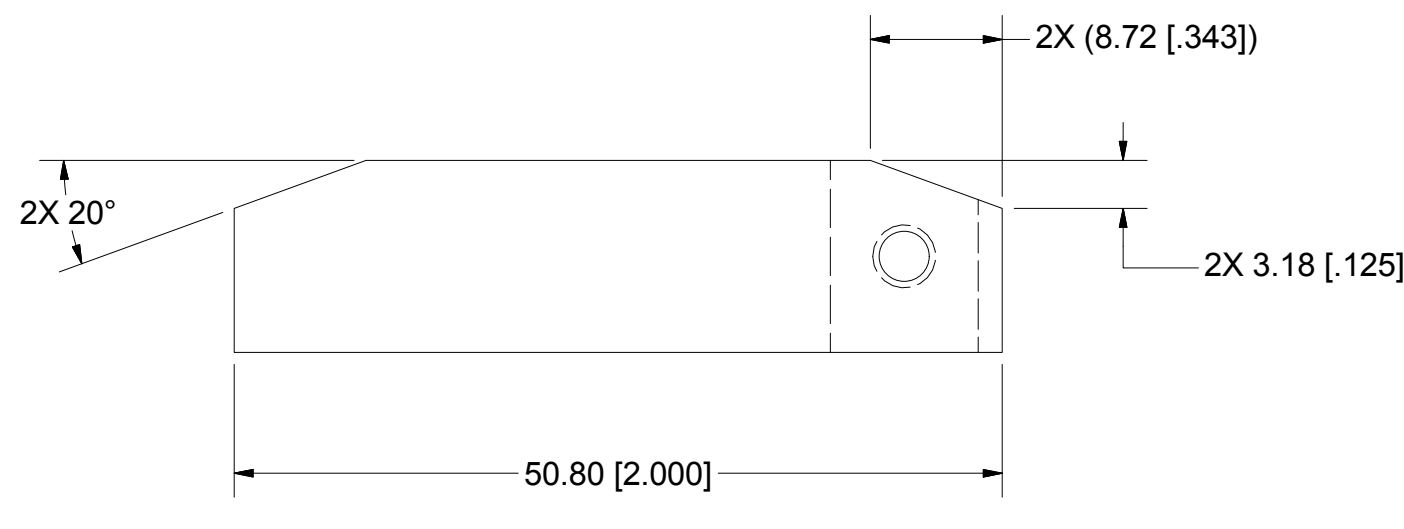
**7** Air Cylinder Link Post  
 FILE NAME: 7208-601  
 SHEET NO.: 5  
 DFT. SCALE: 1:1  
 MATERIAL: 304 Stainless Steel  
 QTY: 2 Per Assembly  
 NOTES:



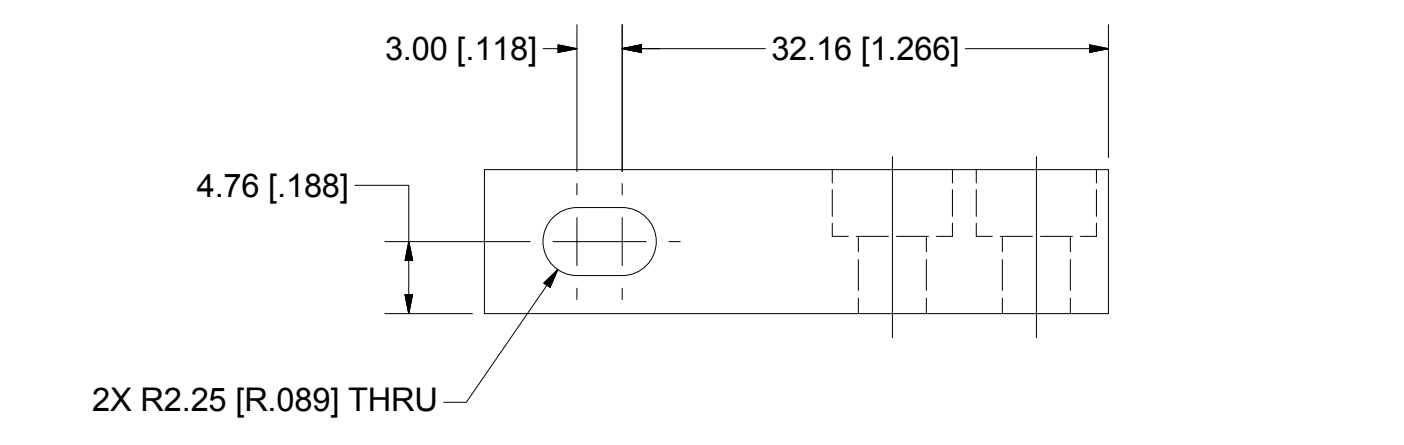
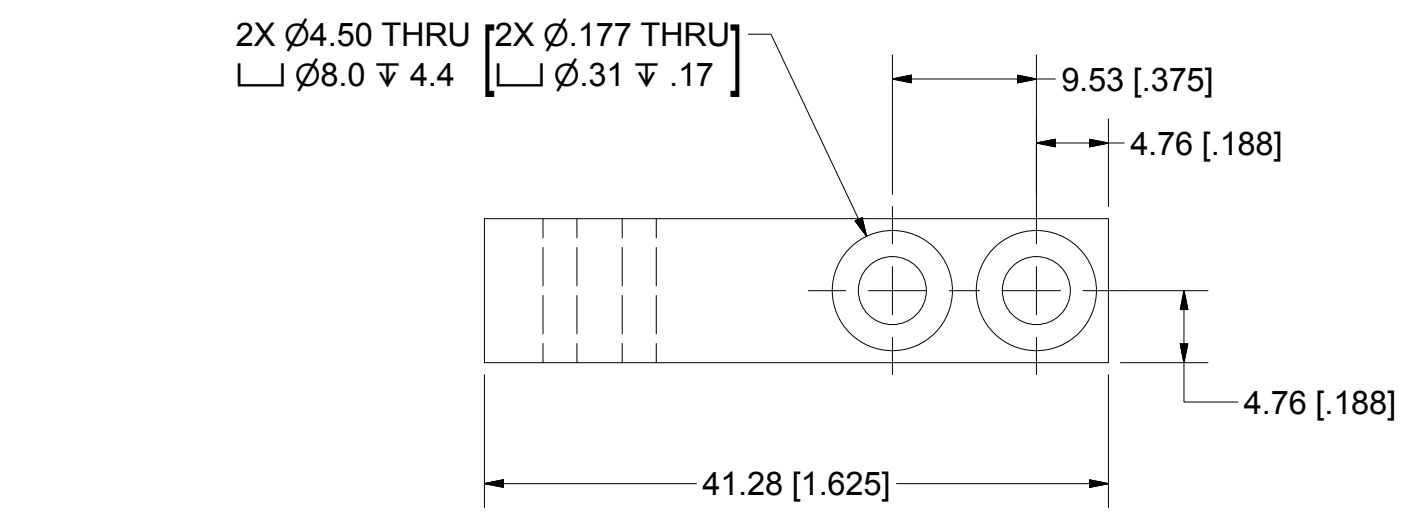
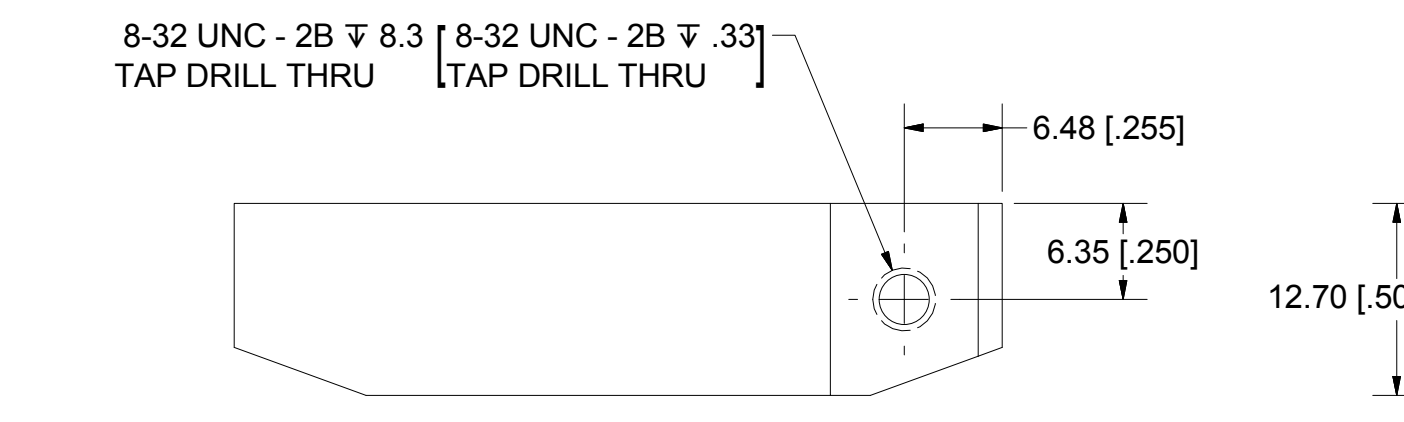
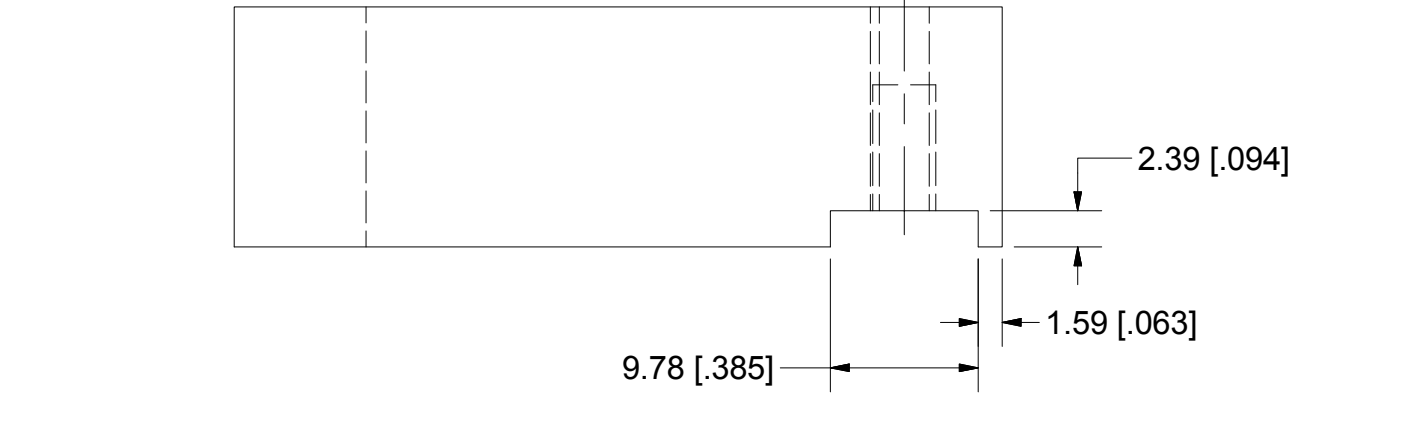
THESE DRAWINGS, WHICH CONTAIN PROPRIETARY INFORMATION, ARE THE PROPERTY OF CORNELL UNIVERSITY. USE OF THESE DRAWINGS BEYOND THE INTENDED PURPOSE IN SUPPORT OF OUR RESEARCH AS DESCRIBED AND FUNDED BY OUR SPONSORING AGENCIES MUST BE NEGOTIATED AND APPROVED IN ADVANCE BY CORNELL UNIVERSITY.

REV	PRINT DISTR.	ITEM	DWG. NO.	DESCRIPTION	G1	G2	G3	REMARKS	REV.
					QUANTITY				
D				PLOT DATE: 3/7/2018 CAD FILE NAME: 7208-601.idw					
7208-601	SH. NO. 5 OF 12	CR-1		UNLESS OTHERWISE SPECIFIED: DIMENSIONS ARE IN MILLIMETERS; TOLERANCES ON: X ± .5 XX ± .2 XXX ± .1 ANGLES ± 0.5° ALL SURFACES $\sqrt{R}$	Cornell Laboratory for Accelerator-based ScienceS and Education (CLASSE)				
					<b>Rear Mount Camera Viewer W/ Beam Stop Cylinder Mount Components</b>				
				CHECKED BY: J Turco APPROVED BY: Y Li	DRAWN BY S Hartman	DRAWN FOR Y Li	DATE 3/7/2018	SCALE D	7208-601 SH. NO. 5 OF 12

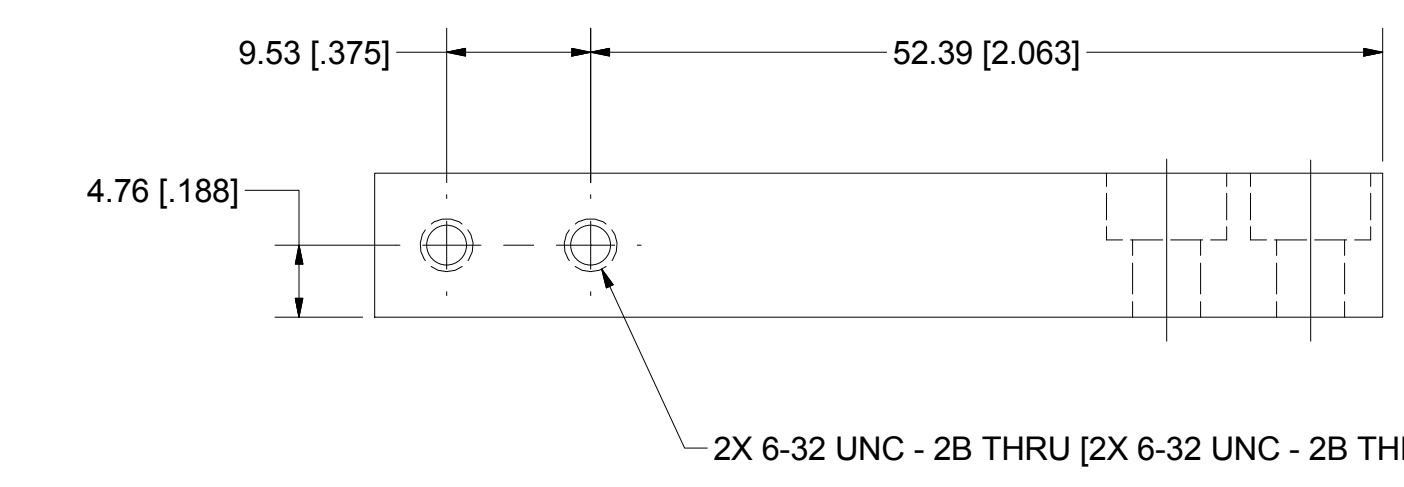
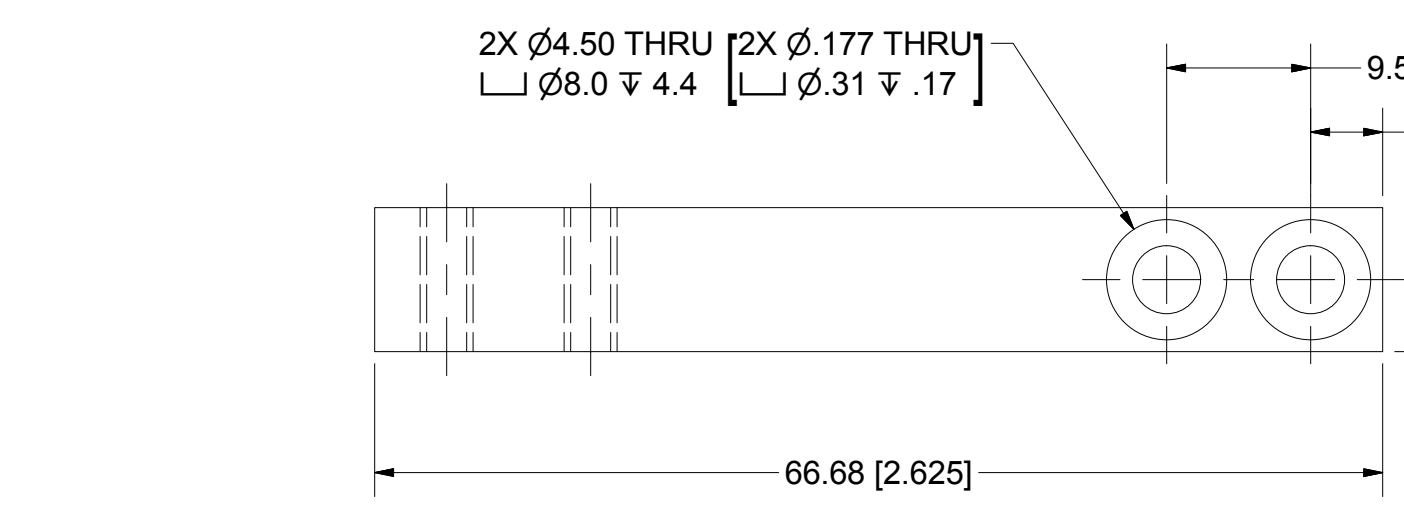
REVISIONS				
SYM	ZONE	DESCRIPTION	DATE	APP
		Initial Release	3/9/18	SWH



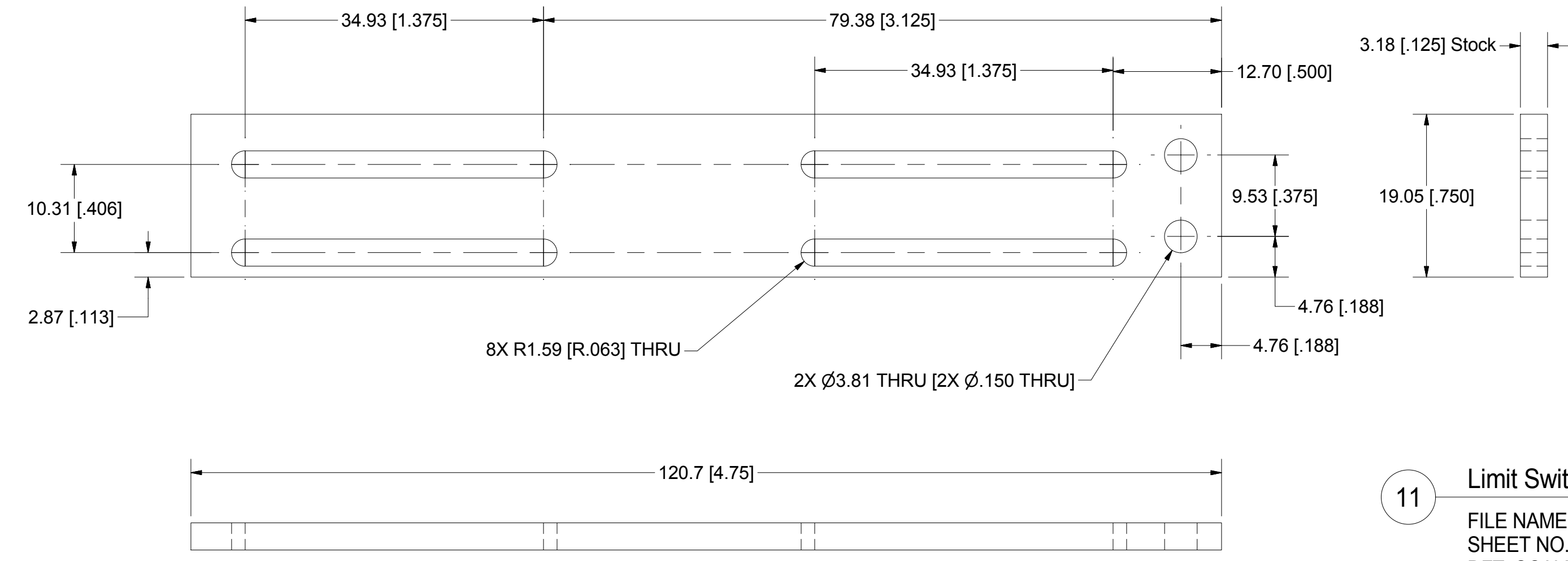
**8 Limit Actuator**  
 FILE NAME: 7208-601  
 SHEET NO.: 6  
 DFT. SCALE: 2:1  
 MATERIAL: 6061-T6 Aluminum  
 QTY: 1 Per Assembly  
 NOTES:



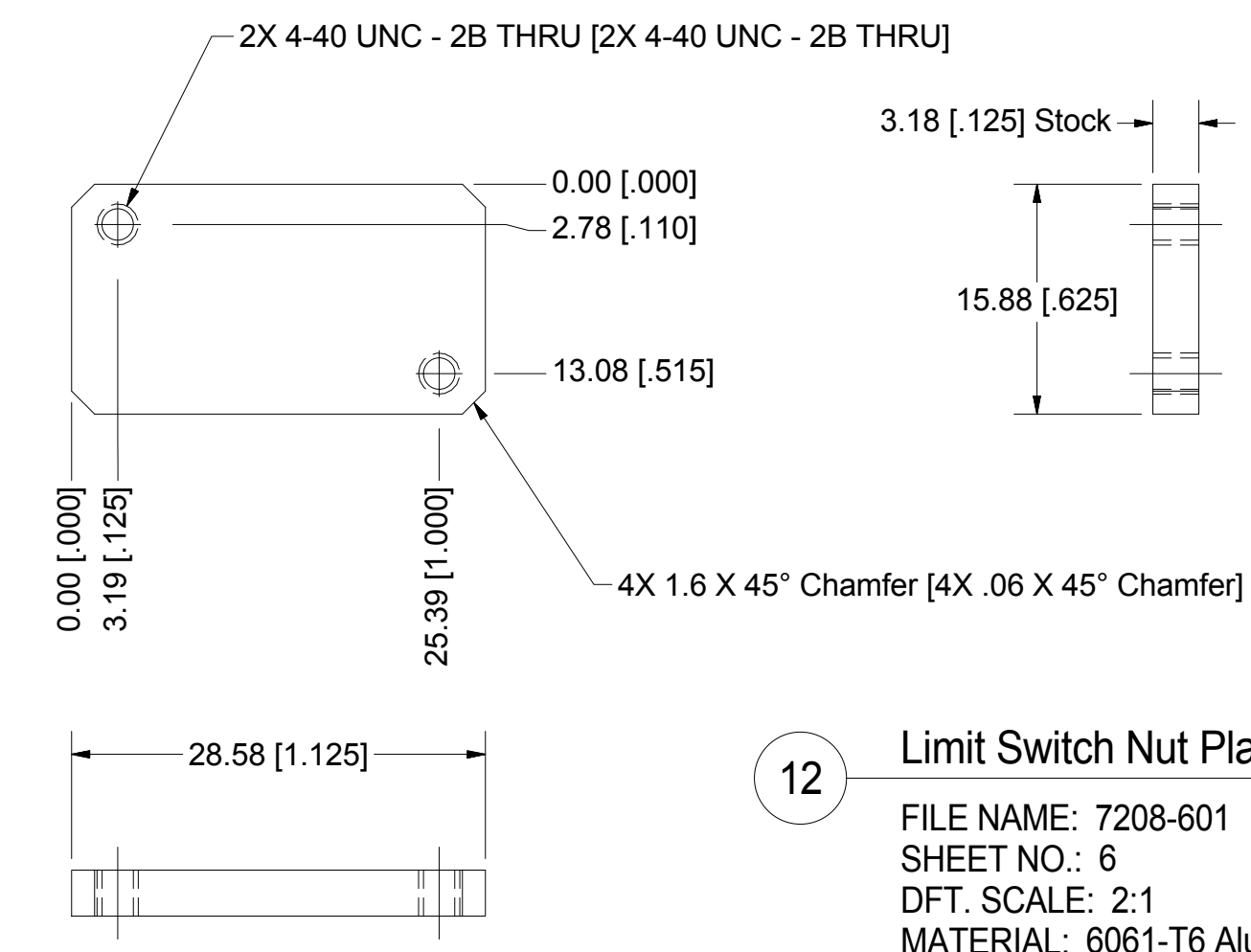
**9 Limit Actuator Tie Plate**  
 FILE NAME: 7208-601  
 SHEET NO.: 6  
 DFT. SCALE: 2:1  
 MATERIAL: 6061-T6 Aluminum  
 QTY: 1 Per Assembly  
 NOTES:



**10 Limit Switch Tie Plate**  
 FILE NAME: 7208-601  
 SHEET NO.: 6  
 DFT. SCALE: 2:1  
 MATERIAL: 6061-T6 Aluminum  
 QTY: 1 Per Assembly  
 NOTES:



**11 Limit Switch Mount Plate**  
 FILE NAME: 7208-601  
 SHEET NO.: 6  
 DFT. SCALE: 2:1  
 MATERIAL: 6061-T6 Aluminum  
 QTY: 1 Per Assembly  
 NOTES:

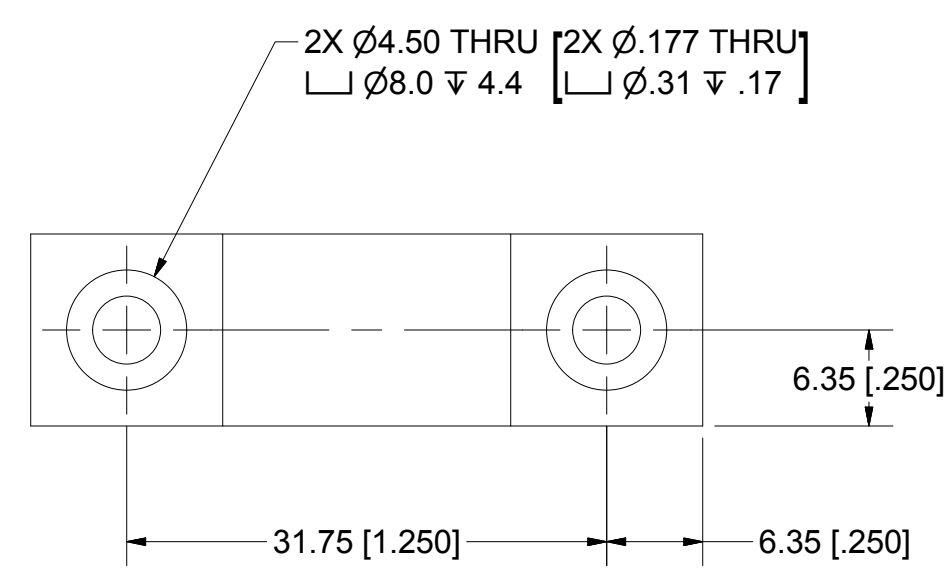


**12 Limit Switch Nut Plate**  
 FILE NAME: 7208-601  
 SHEET NO.: 6  
 DFT. SCALE: 2:1  
 MATERIAL: 6061-T6 Aluminum  
 QTY: 2 Per Assembly  
 NOTES:

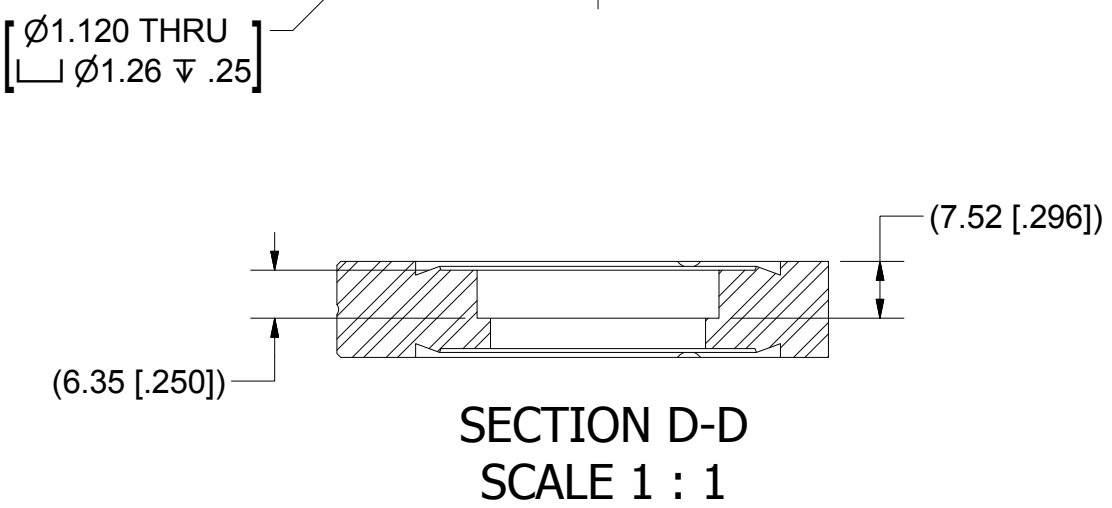
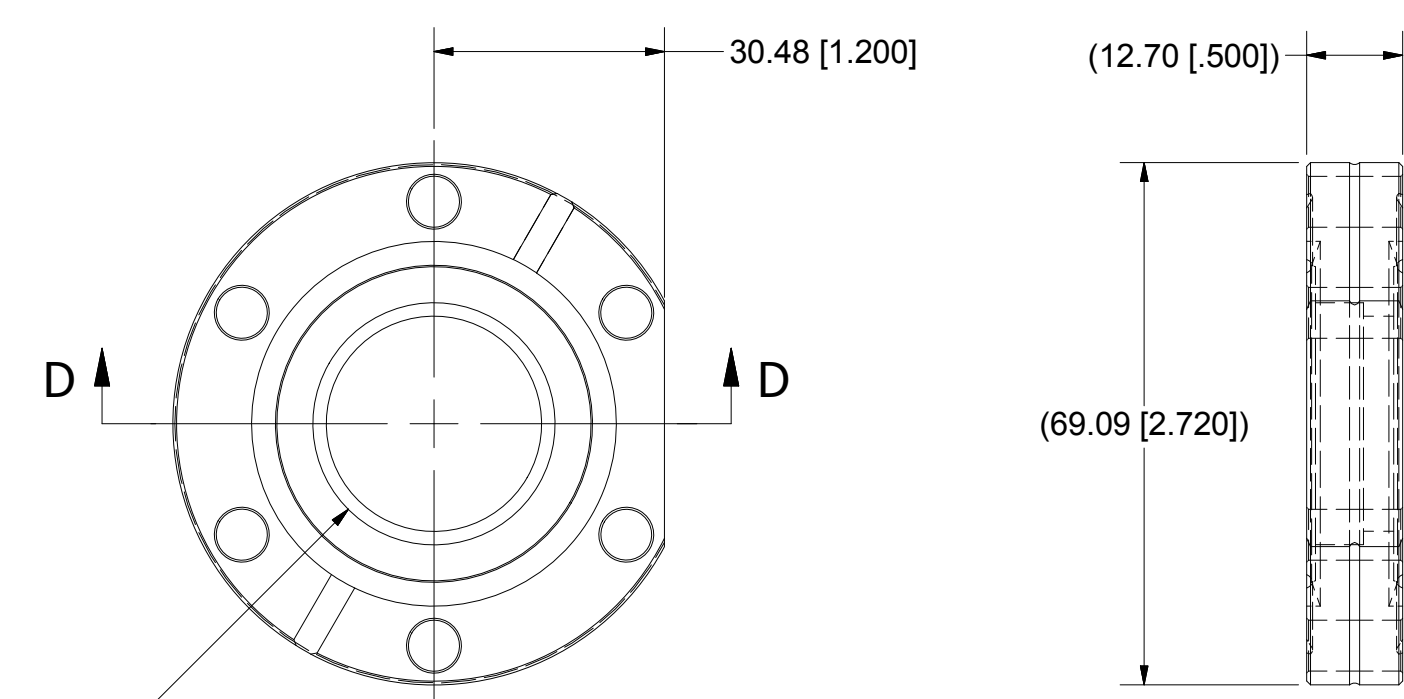
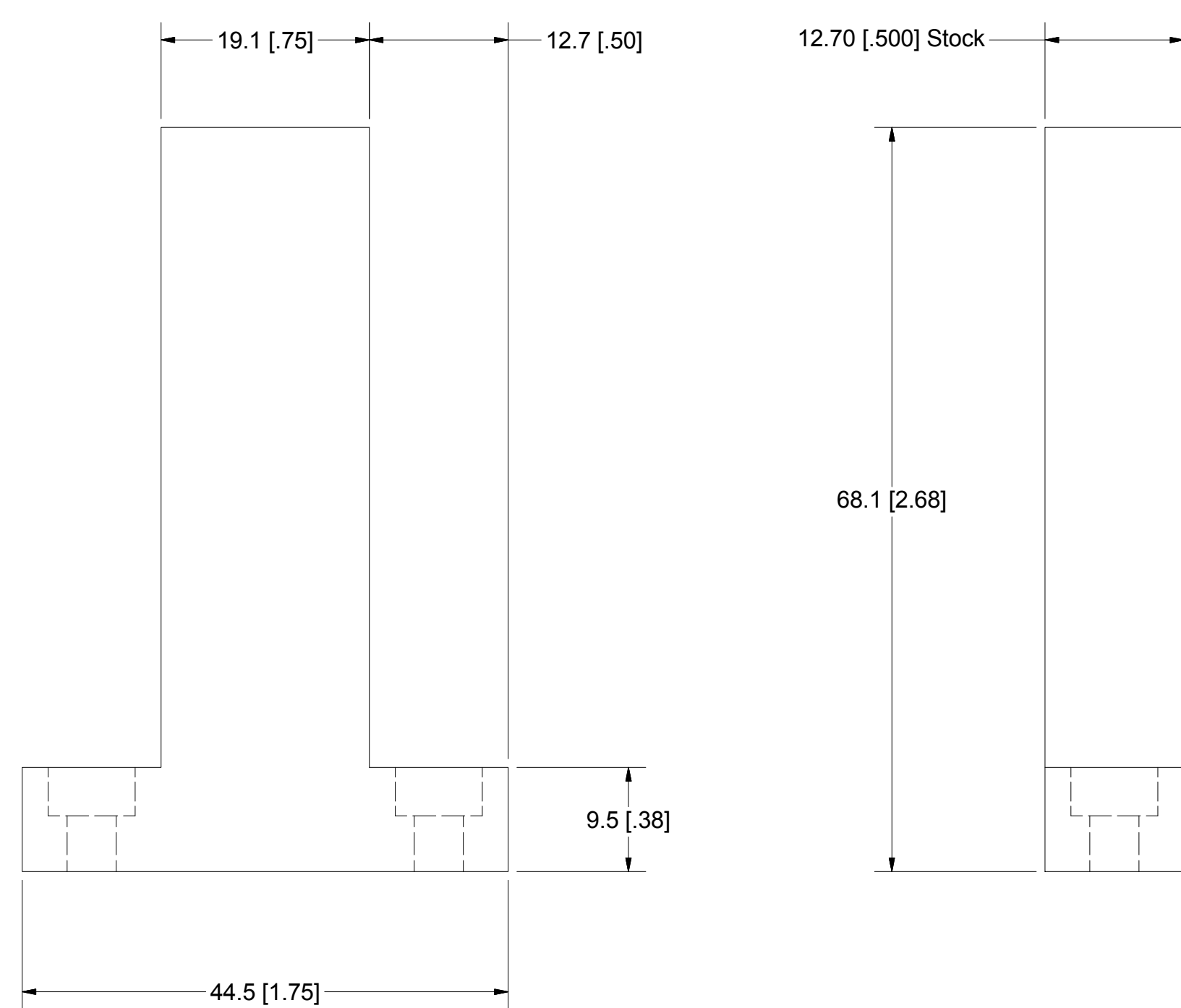
THESE DRAWINGS, WHICH CONTAIN PROPRIETARY INFORMATION, ARE THE PROPERTY OF CORNELL UNIVERSITY. USE OF THESE DRAWINGS BEYOND THE INTENDED PURPOSE IN SUPPORT OF OUR RESEARCH AS DESCRIBED AND FUNDED BY OUR SPONSORING AGENCIES MUST BE NEGOTIATED AND APPROVED IN ADVANCE BY CORNELL UNIVERSITY.

REV	PRINT DISTR.	ITEM	DWG. NO.	DESCRIPTION	G1	G2	G3	REMARKS	REV.
					QUANTITY				
D				PLOT DATE: 3/7/2018 CAD FILE NAME: 7208-601.idw					
7208-601	CR-1			UNLESS OTHERWISE SPECIFIED: DIMENSIONS ARE IN MILLIMETERS; TOLERANCES ON: X ± 0.5 XX ± 2 XXX ± 1 ANGLES ± 0.5° ALL SURFACES $\nabla</math> 5$					
				Cornell Laboratory for Accelerator-based ScienceS and Education (CLASSE)					
				Rear Mount Camera Viewer W/ Beam Stop Limit Components					
				CHECKED BY: J Turco APPROVED BY: Y Li					
				DRAWN BY: S Hartman DRAWN FOR: Y Li					
				DATE: 3/7/2018					
				SCALE: D					
				7208-601 SH. NO. 6 OF 12					

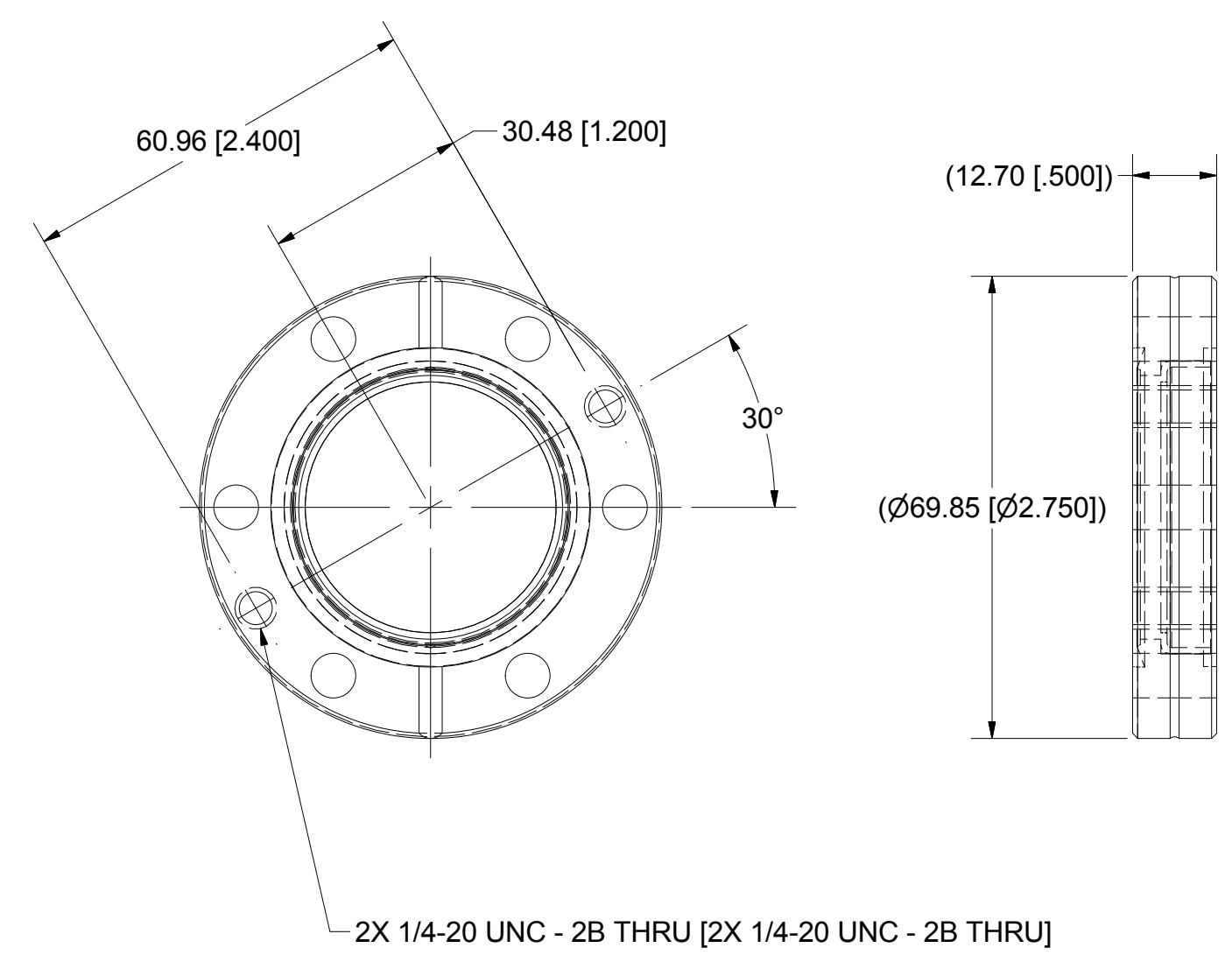
REVISIONS				
SYM	ZONE	DESCRIPTION	DATE	APP
		Initial Release	3/9/18	SWH



**13** Beam Stop Gauge Block  
 FILE NAME: 7208-601  
 SHEET NO.: 7  
 DFT. SCALE: 2:1  
 MATERIAL: 6061-T6 Aluminum  
 QTY: 2 Per Assembly  
 NOTES:



**31** Modified 2.75" Double-Faced CF, Blank, .50" Thick, Clearance, 304L SST  
 FILE NAME: 7208-601  
 SHEET NO.: 7  
 DFT. SCALE: 1:1  
 MATERIAL: Lesker #DFF275X000  
 QTY: 1 Per Assembly  
 NOTES: 1.) Make From Lesker #DFF275X000  
 (2.75" Double-Faced CF, Blank, .50" Thick, Clearance, 304L SST)  
 2.) Modification: Add Counterbore Thru And Flat On Side As Shown.

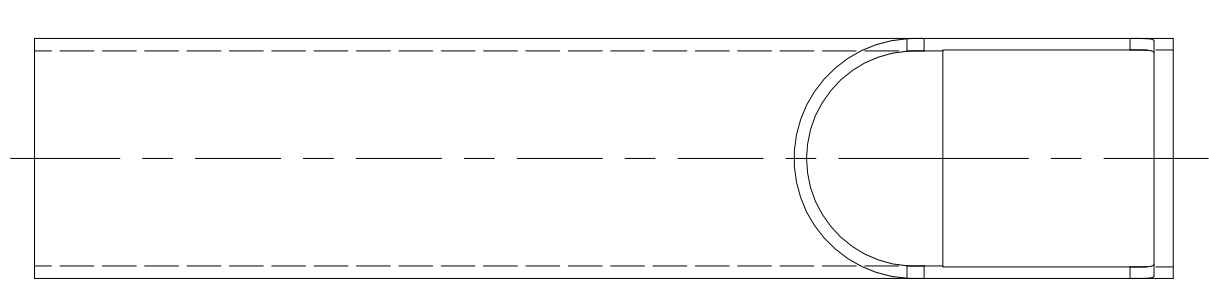
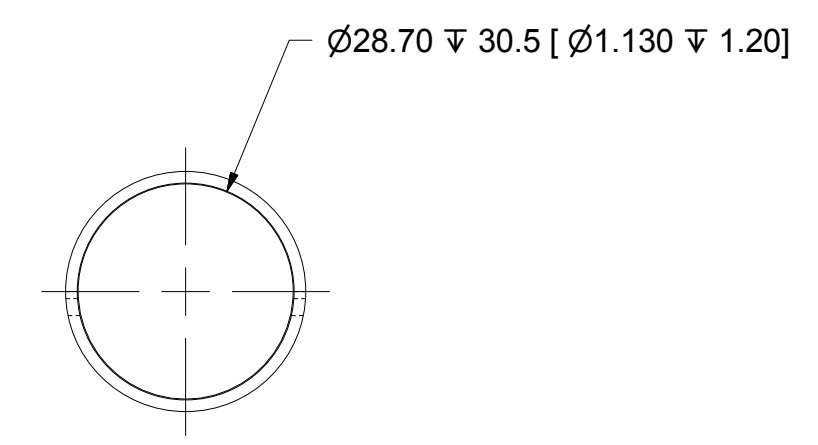
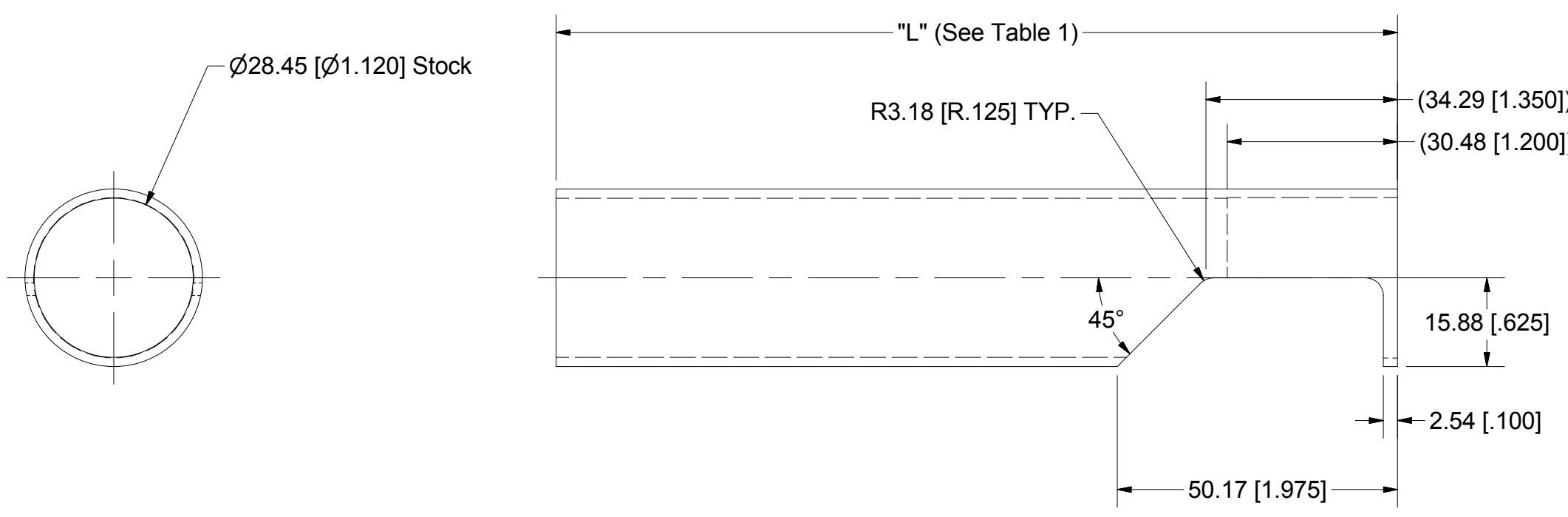


**14** Modified 2.75" CF Flanged Zero Length Kodial Glass Viewport, 304L SST  
 FILE NAME: 7208-601  
 SHEET NO.: 7  
 DFT. SCALE: 1:1  
 MATERIAL: Lesker #VPZL-275  
 QTY: 1 Per Assembly  
 NOTES: 1.) Make From Lesker #VPZL-275  
 (2.75" CF Flanged Zero Length Kodial Glass Viewport, 304L SST)  
 2.) Modification: Added (2) 1/4"-20 UNC Tapped Holes.

THESE DRAWINGS, WHICH CONTAIN PROPRIETARY INFORMATION, ARE THE PROPERTY OF CORNELL UNIVERSITY. USE OF THESE DRAWINGS BEYOND THE INTENDED PURPOSE IN SUPPORT OF OUR RESEARCH AS DESCRIBED AND FUNDED BY OUR SPONSORING AGENCIES MUST BE NEGOTIATED AND APPROVED IN ADVANCE BY CORNELL UNIVERSITY.

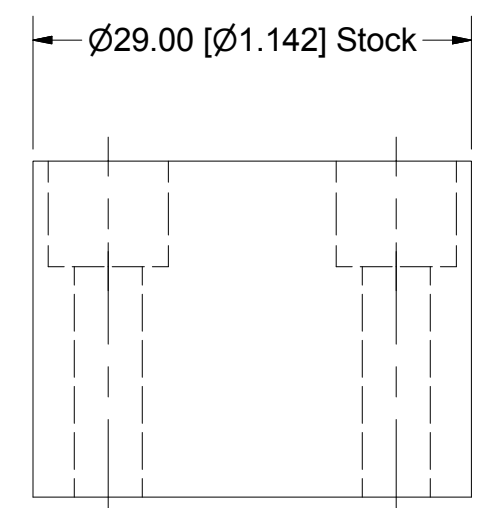
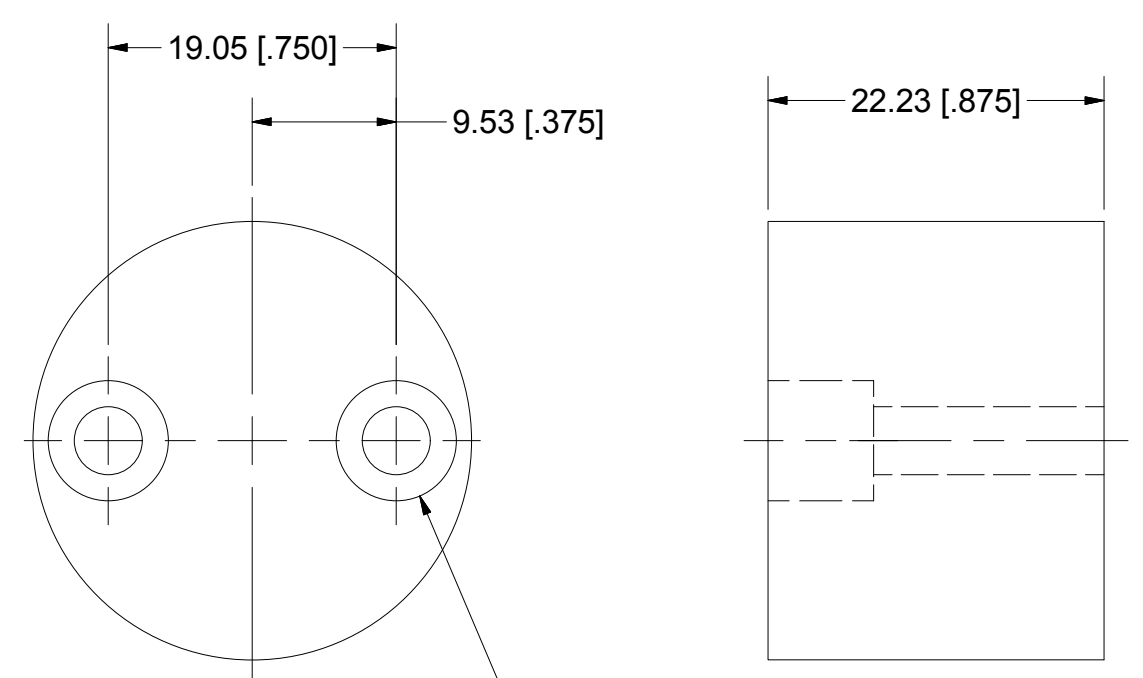
ITEM	DWG. NO.	DESCRIPTION	G1	G2	G3	REMARKS	REV.	
			QUANTITY					
<b>D</b>	PRINT DISTR.	PLOT DATE: 3/7/2018 CAD FILE NAME: 7208-601.idw						
<b>CR-1</b>	7208-601	UNLESS OTHERWISE SPECIFIED: DIMENSIONS ARE IN MILLIMETERS; TOLERANCES ON: X ± .5 XX ± .2 XXX ± .1 ANGLES ± 0.5° ALL SURFACES $\sqrt{R}$						
	SH. NO. 7 OF 12							
	REV.	Cornell Laboratory for Accelerator-based ScienceS and Education (CLASSE)						
		Rear Mount Camera Viewer W/ Beam Stop Misc. Components						
		CHECKED BY: J Turco	DRAWN BY: S Hartman	DRAWN FOR: Y Li	DATE: 3/7/2018	SCALE: <b>D</b>	7208-601 SH. NO. 7 OF 12	
		APPROVED BY: Y Li						

REVISIONS				
SYM	ZONE	DESCRIPTION	DATE	APP
		Initial Release	3/9/18	SWH

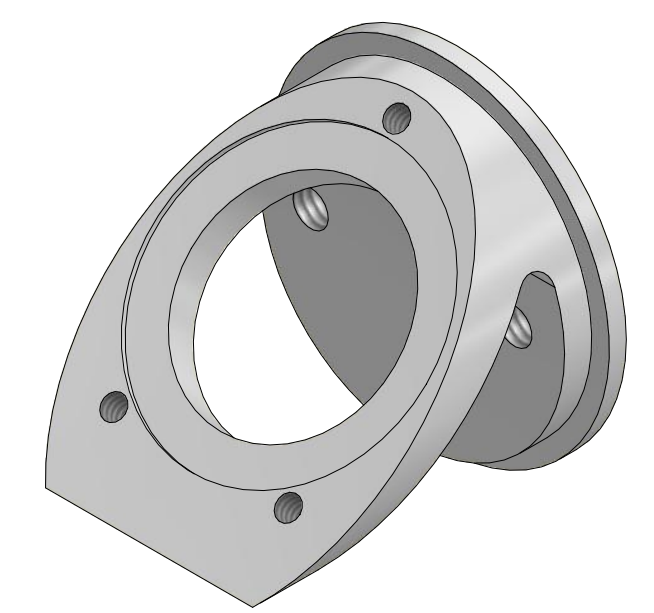
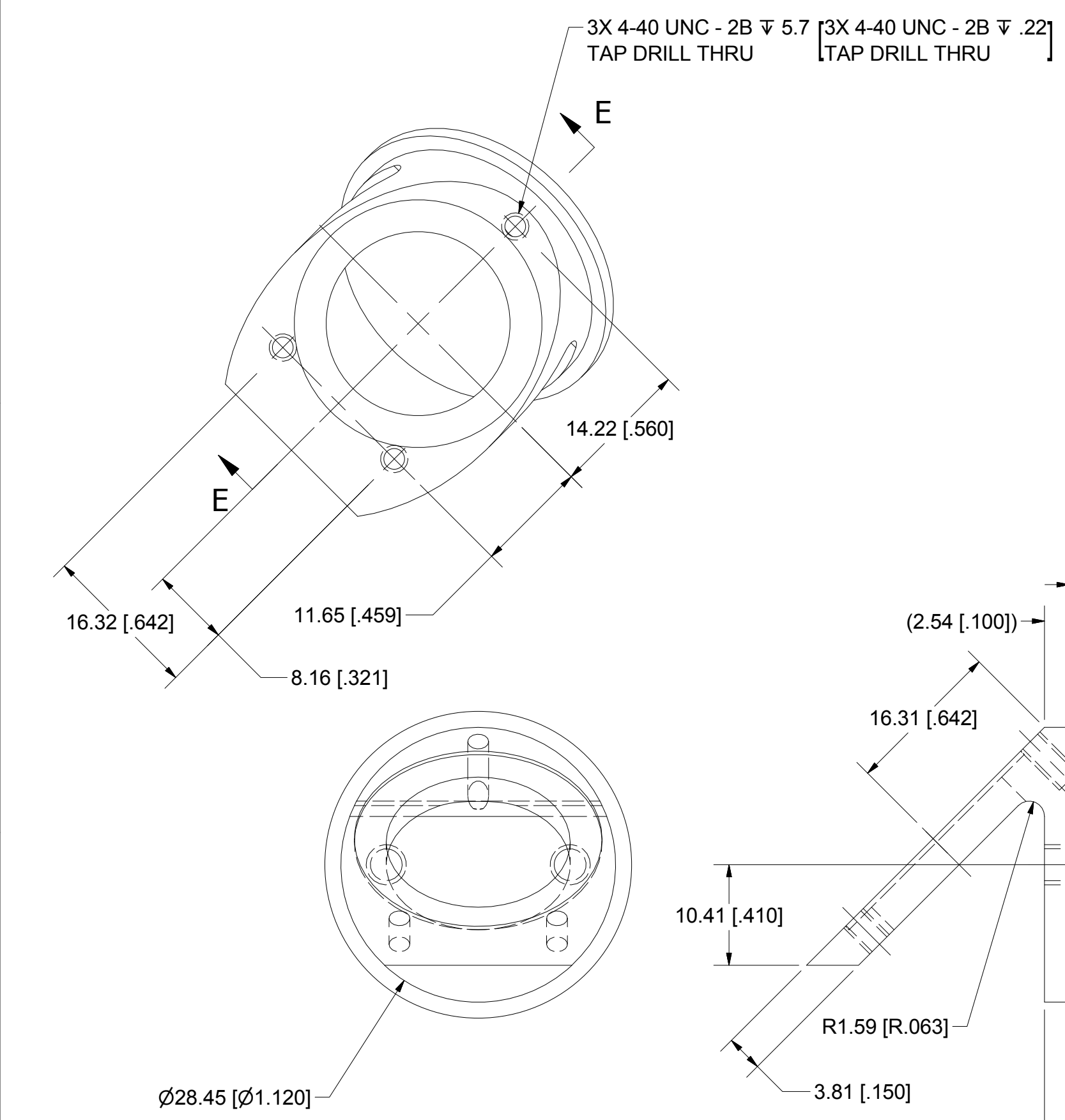


Item #	"L"	Qty
27A	150.65 [5.931]	2
27B	224.03 [8.820]	2
27C	191.03 [7.521]	1

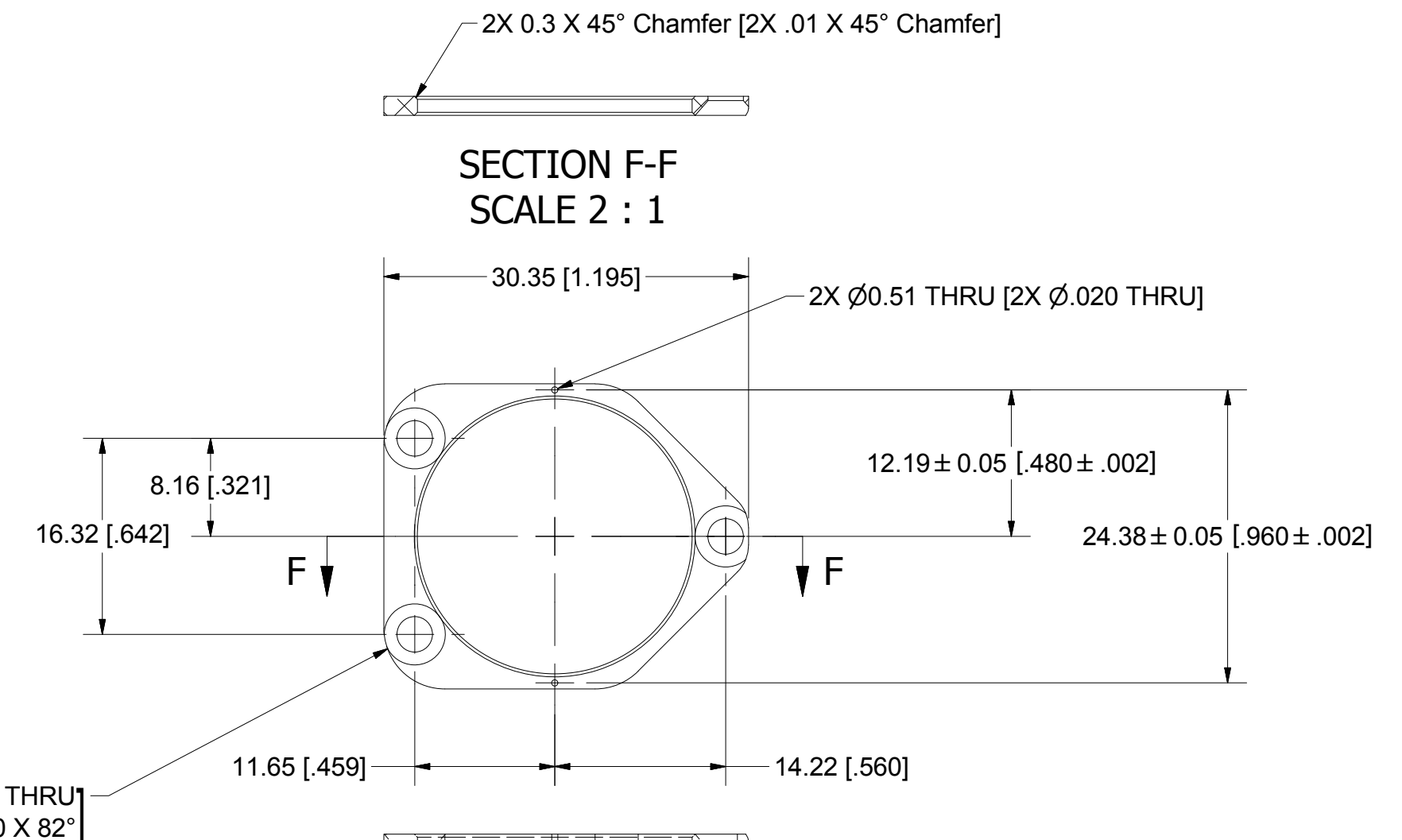
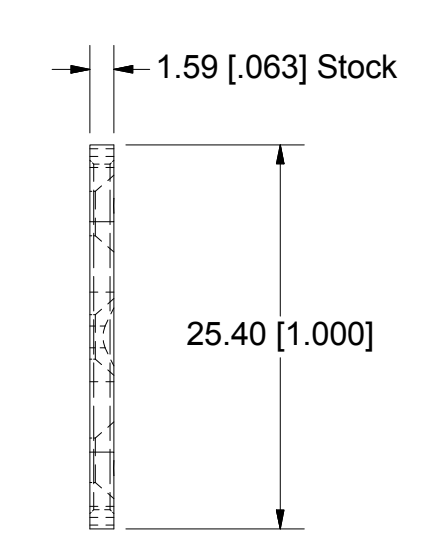
**27 Viewer Holding Tube**  
 FILE NAME: 7208-601  
 SHEET NO.: 8  
 DFT. SCALE: 1:1  
 MATERIAL: 316 Stainless Steel  
 QTY: 1 Per Assembly; See Table Below For Total Quantities  
 NOTES: 1.) Suggested Stock: McMaster-Carr #89785K876 (Smooth-Bore Seamless 316 Stainless Steel Tubing, 1-1/4" OD, 0.065" Wall Thickness)



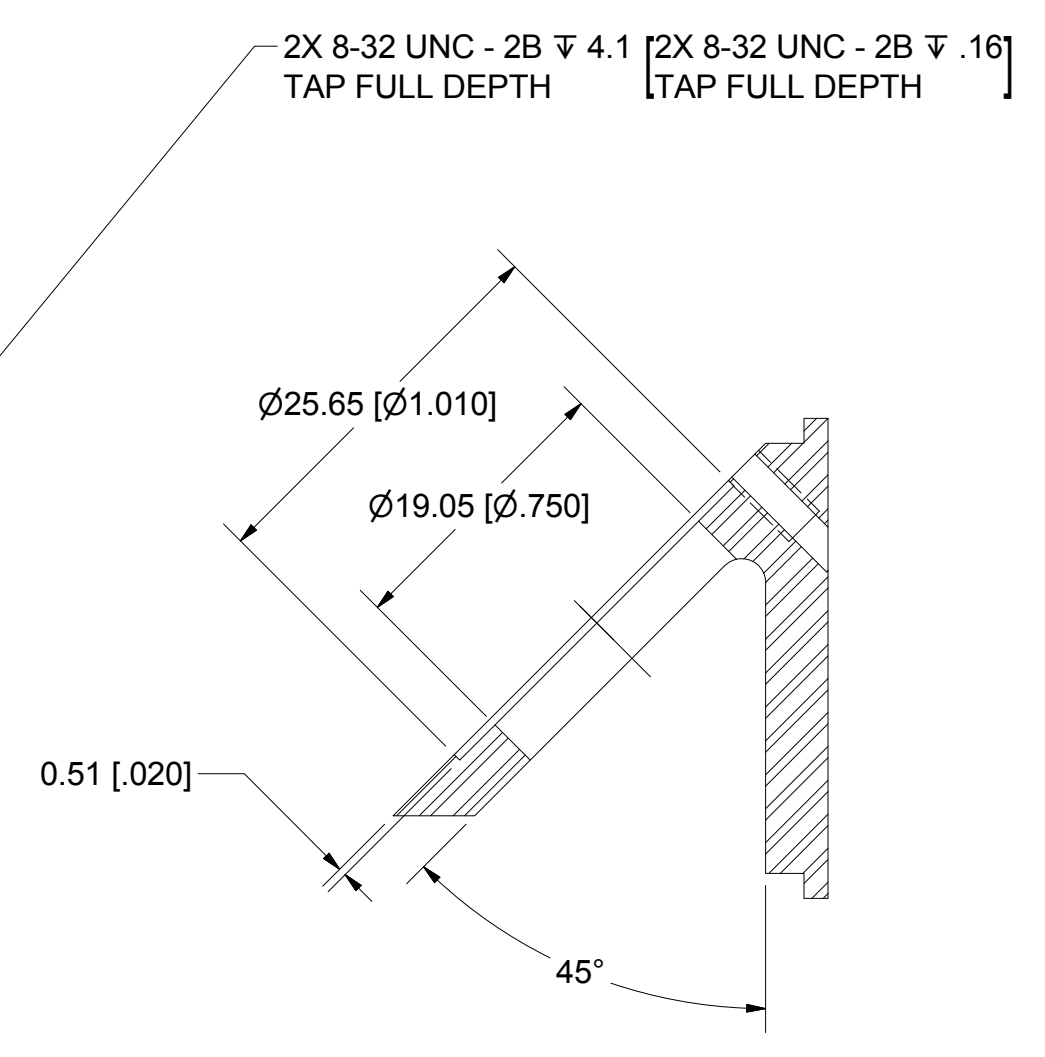
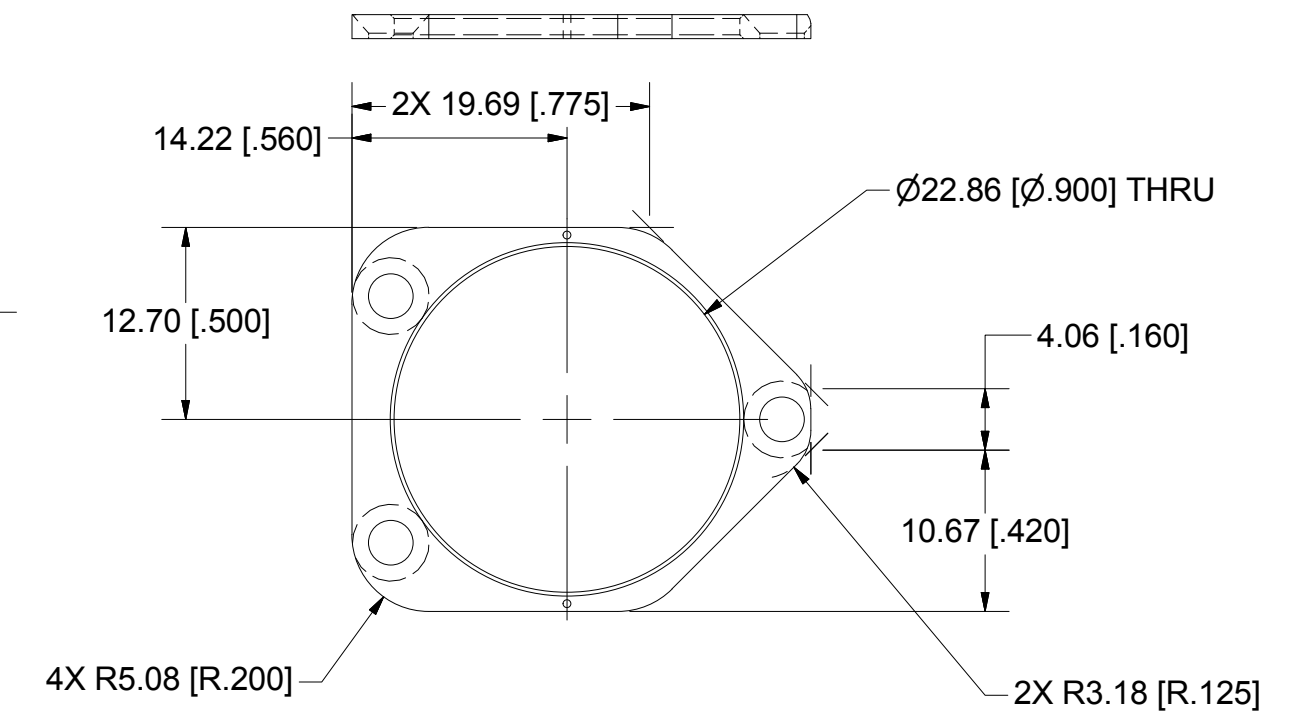
**30 Beam Stop**  
 FILE NAME: 7208-601  
 SHEET NO.: 8  
 DFT. SCALE: 2:1  
 MATERIAL: Mi-Tech Metals HD17 Tungsten Alloy, 29mm Dia.  
 QTY: 1 Per Assembly  
 NOTES:



**28 View Screen Holder**  
 FILE NAME: 7208-601  
 SHEET NO.: 8  
 DFT. SCALE: 2:1  
 MATERIAL: 316 Stainless Steel, 1.25" Dia.  
 QTY: 1 Per Assembly  
 NOTES:



**29 Beryllia Disk Clamp Plate**  
 FILE NAME: 7208-601  
 SHEET NO.: 8  
 DFT. SCALE: 2:1  
 MATERIAL: 6061-T6 Aluminum  
 QTY: 1 Per Assembly  
 NOTES:

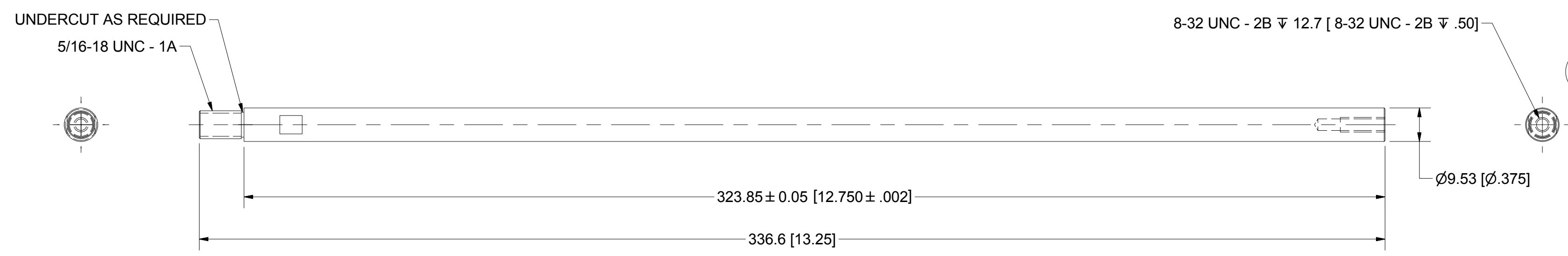


REV.	ITEM	DWG. NO.	DESCRIPTION	G1	G2	G3	REMARKS	REV.
				QUANTITY				
D	PRINT DISTR.	PLOT DATE: 3/7/2018 CAD FILE NAME: 7208-601.idw						
7208-601	CR-1	UNLESS OTHERWISE SPECIFIED: DIMENSIONS ARE IN MILLIMETERS; TOLERANCES ON: X ± 5 XX ± 2 XXX ± 1 ANGLES ± 0.5° ALL SURFACES 1/5	Cornell Laboratory for Accelerator-based ScienceS and Education (CLASSE)					
			Rear Mount Camera Viewer W/ Beam Stop View Screen / Beam Stop Components					
	CHECKED BY: J Turco APPROVED BY: Y Li	DRAWN BY: S Hartman DRAWN FOR: Y Li DATE: 3/7/2018 SCALE: D					7208-601 SH. NO 8 OF 12	

THESE DRAWINGS, WHICH CONTAIN PROPRIETARY INFORMATION, ARE THE PROPERTY OF CORNELL UNIVERSITY. USE OF THESE DRAWINGS BEYOND THE INTENDED PURPOSE IN SUPPORT OF OUR RESEARCH AS DESCRIBED AND FUNDED BY OUR SPONSORING AGENCIES MUST BE NEGOTIATED AND APPROVED IN ADVANCE BY CORNELL UNIVERSITY.

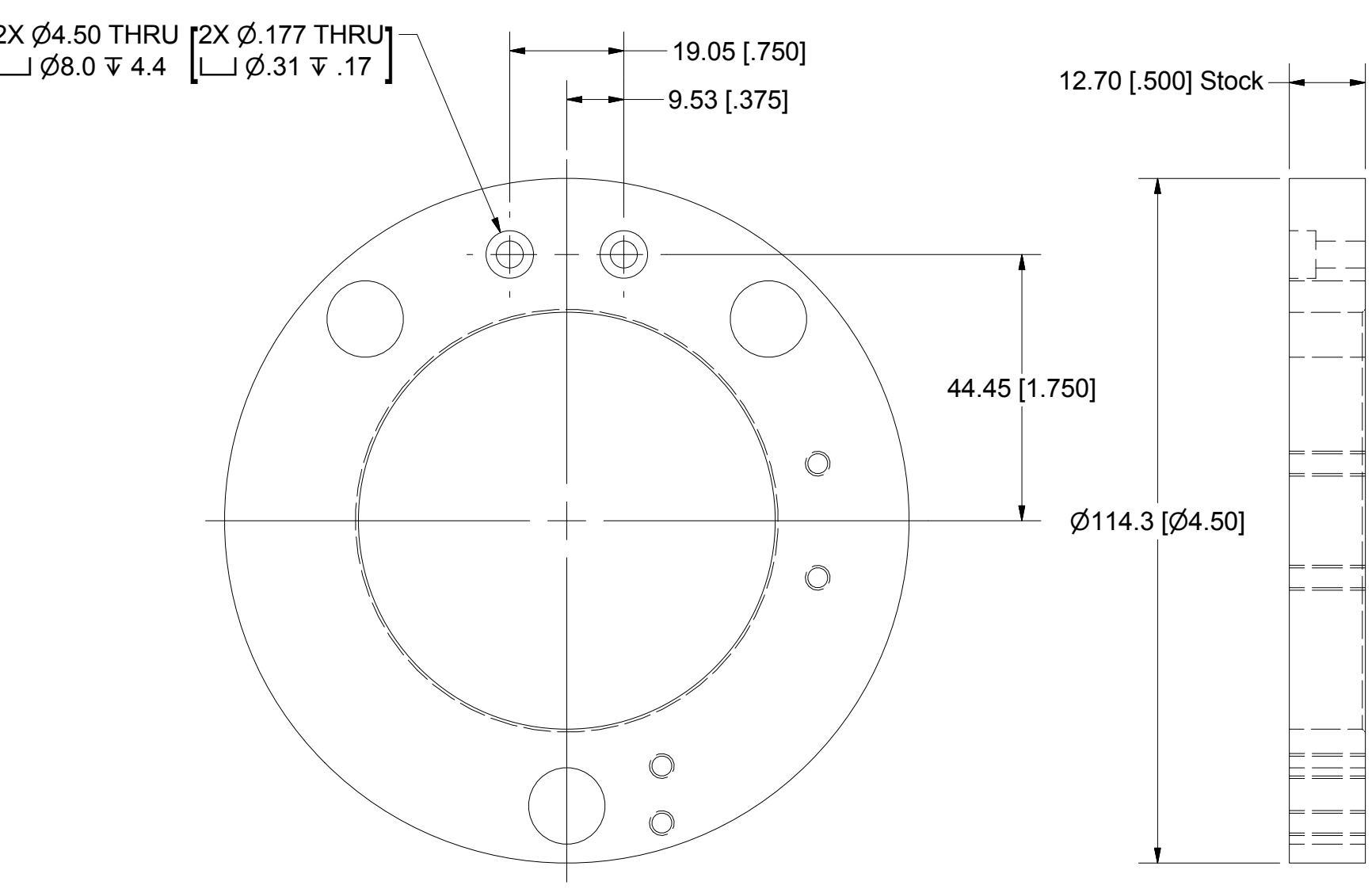
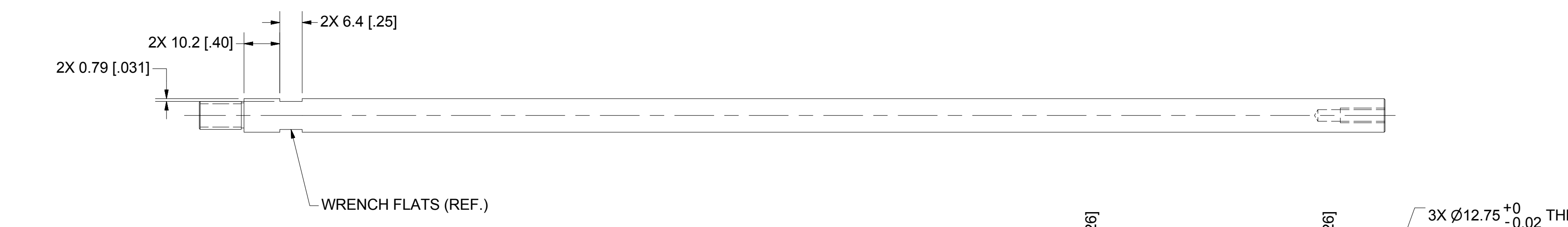


REVISIONS					
SYM	ZONE	DESCRIPTION	DATE	APP	
		Initial Release	3/9/18	SWH	



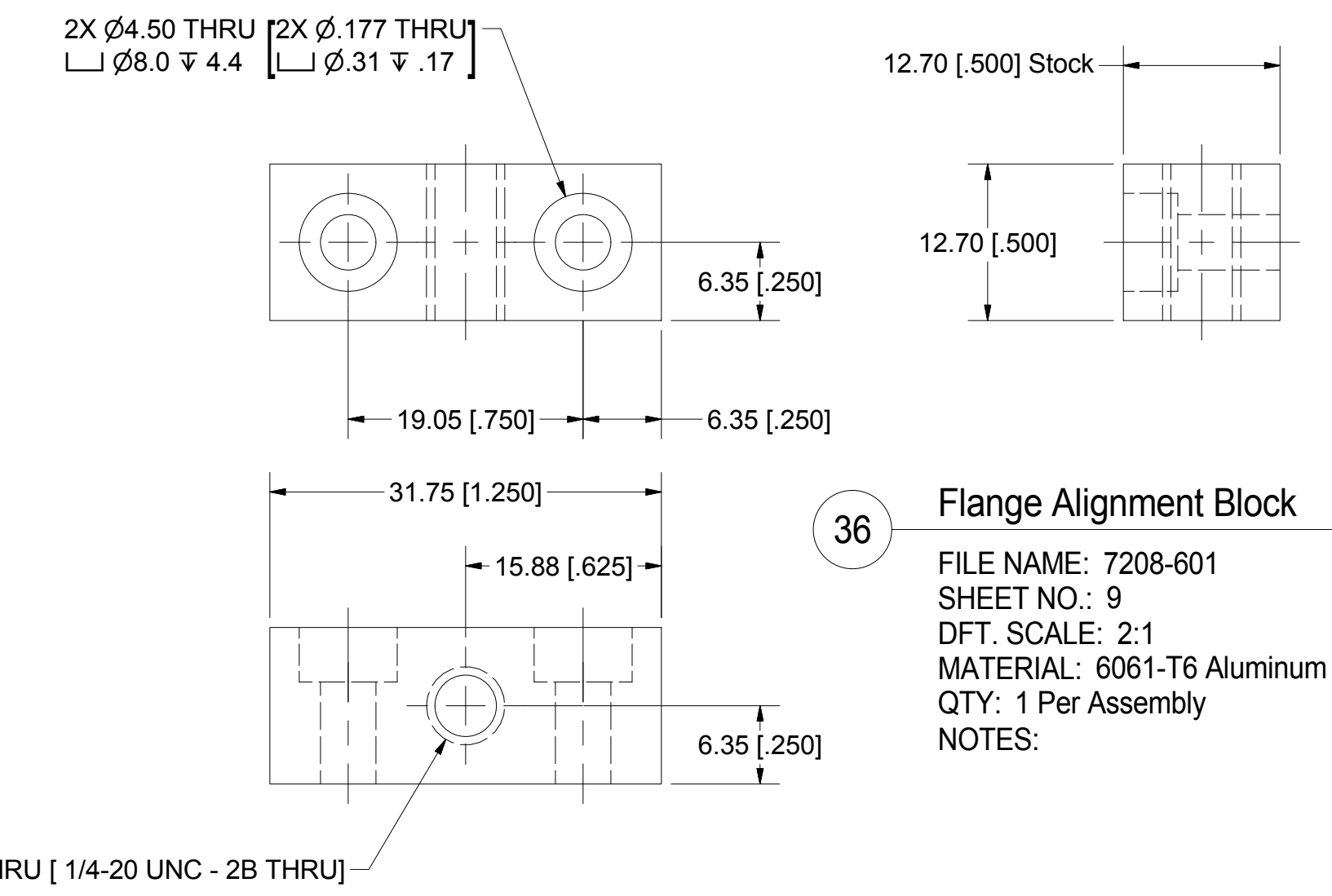
**35 Bellows Guide Shaft**

FILE NAME: 7208-601  
 SHEET NO.: 9  
 DFT. SCALE: 1:1  
 MATERIAL: 303 Stainless Steel  
 QTY: 3 Per Assembly  
 NOTES: 1.) Suggested Stock: McMaster-Carr #8364T32 (Corrosion-Resistant Rotary Shaft, 303 Stainless Steel, 3/8" Diameter, 48" Long)



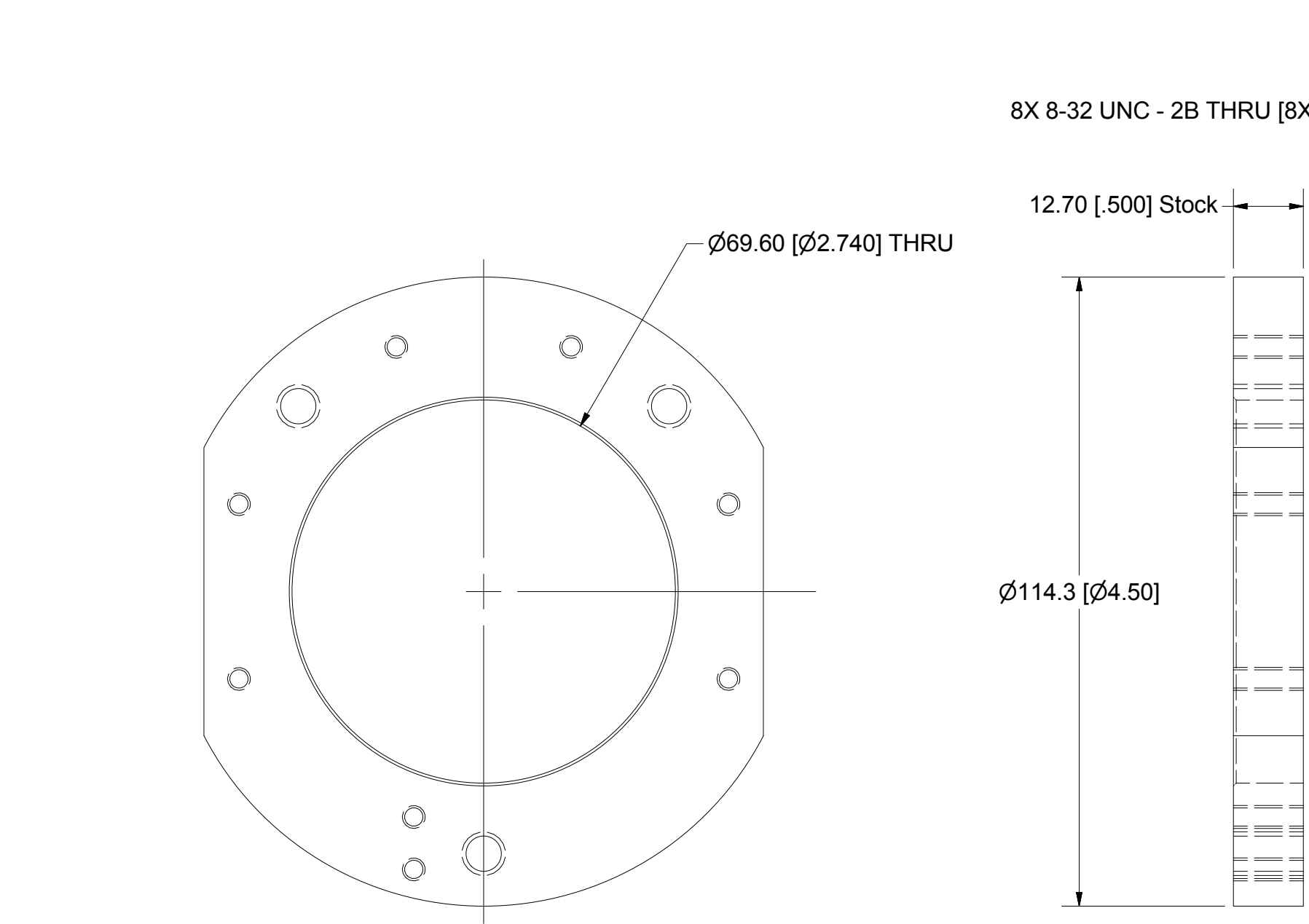
**39 Bellows Flange Bushing Mount Ring**

FILE NAME: 7208-601  
 SHEET NO.: 9  
 DFT. SCALE: 1:1  
 MATERIAL: 304 Stainless Steel  
 QTY: 1 Per Assembly  
 NOTES:



**36 Flange Alignment Block**

FILE NAME: 7208-601  
 SHEET NO.: 9  
 DFT. SCALE: 2:1  
 MATERIAL: 6061-T6 Aluminum  
 QTY: 1 Per Assembly  
 NOTES:



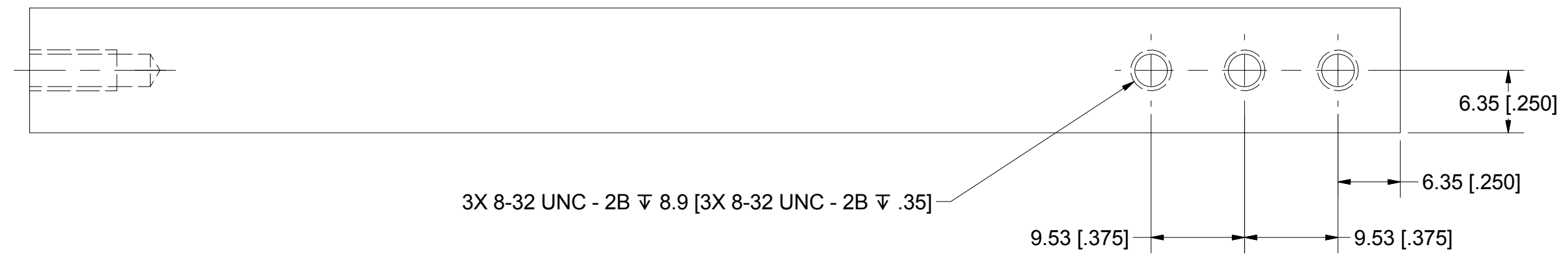
**40 Bellows Flange Tapped Mount Ring**

FILE NAME: 7208-601  
 SHEET NO.: 9  
 DFT. SCALE: 1:1  
 MATERIAL: 304 Stainless Steel  
 QTY: 1 Per Assembly  
 NOTES:

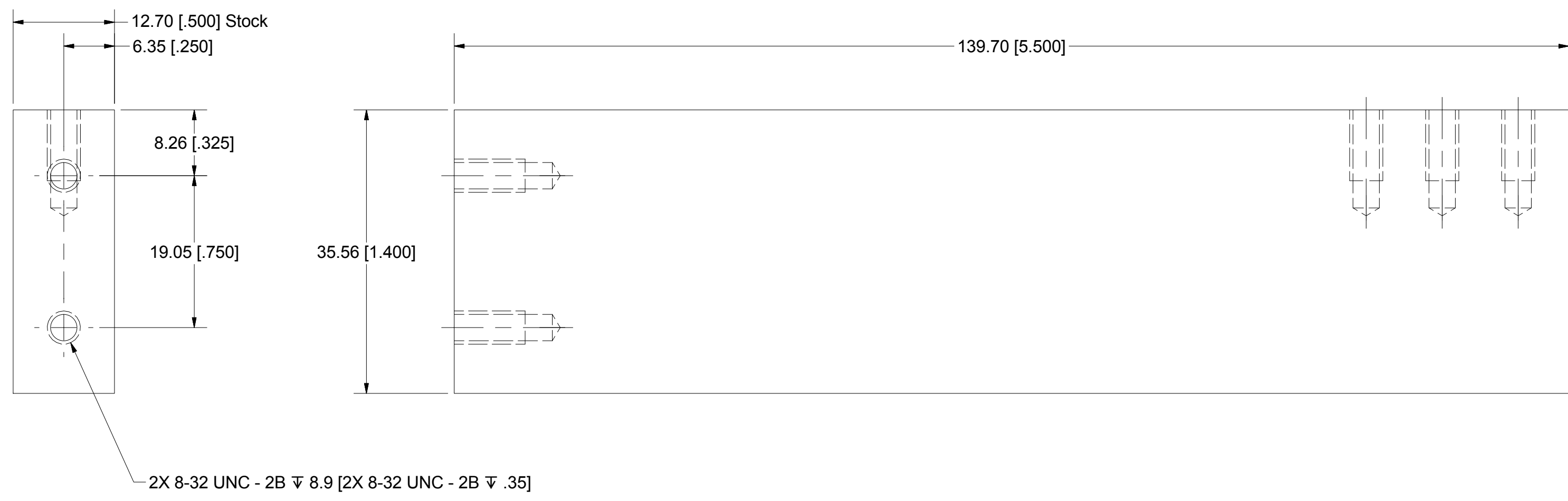
THESE DRAWINGS, WHICH CONTAIN PROPRIETARY INFORMATION, ARE THE PROPERTY OF CORNELL UNIVERSITY. USE OF THESE DRAWINGS BEYOND THE INTENDED PURPOSE IN SUPPORT OF OUR RESEARCH AS DESCRIBED AND FUNDED BY OUR SPONSORING AGENCIES MUST BE NEGOTIATED AND APPROVED IN ADVANCE BY CORNELL UNIVERSITY.

ITEM	DWG. NO.	DESCRIPTION	G1	G2	G3	REMARKS	REV.
			QUANTITY				
<b>D</b>	PRINT DISTR.	PLOT DATE: 3/7/2018 CAD FILE NAME: 7208-601.idw					
7208-601 SH. NO. 9 OF 12	REV.	CR-1 UNLESS OTHERWISE SPECIFIED: DIMENSIONS ARE IN MILLIMETERS; TOLERANCES ON: X ± .5 XX ± .2 XXX ± .1 ANGLES ± 0.5° ALL SURFACES ∇5/	Cornell Laboratory for Accelerator-based ScienceS and Education (CLASSE)			<b>Rear Mount Camera Viewer W/ Beam Stop Bellows Assembly Components</b>	

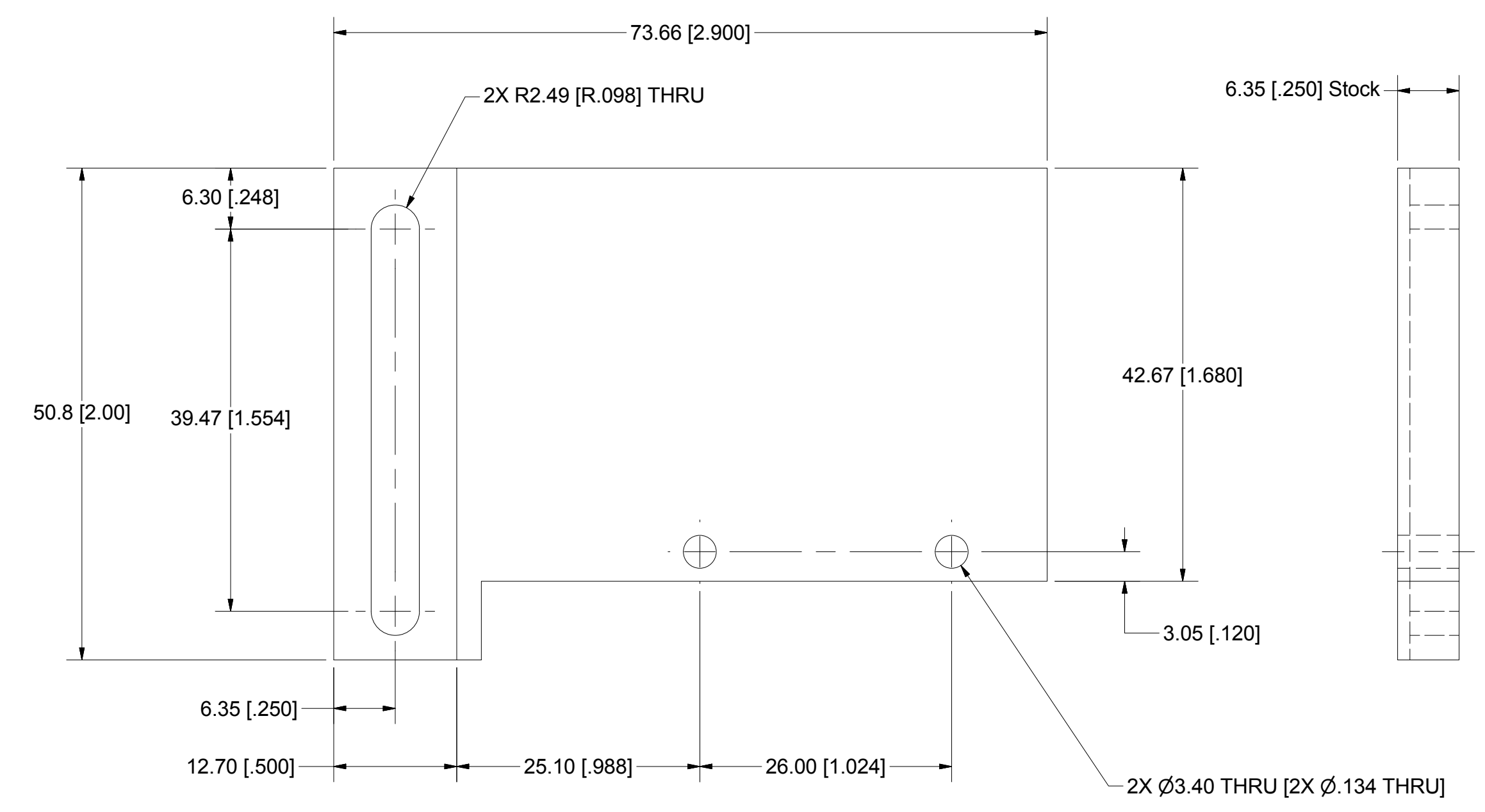
REVISIONS				
SYM	ZONE	DESCRIPTION	DATE	APP
		Initial Release	3/9/18	SWH



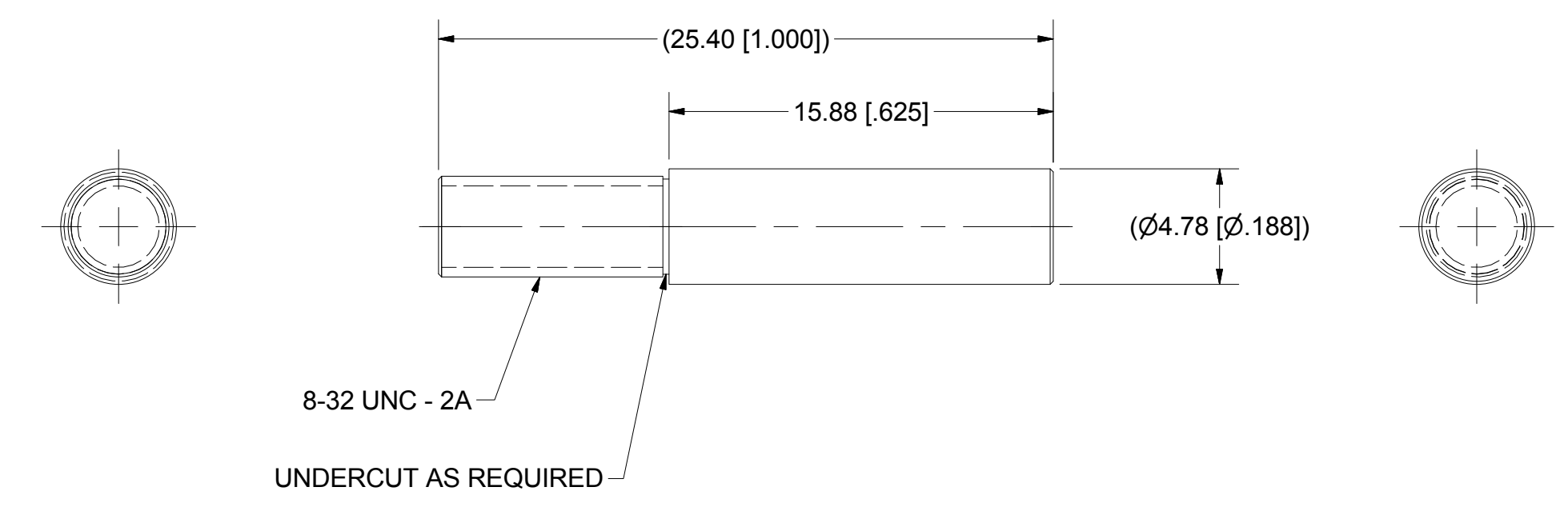
**43 Camera Base Mounting Plate**  
 FILE NAME: 7208-601  
 SHEET NO.: 10  
 DFT. SCALE: 2:1  
 MATERIAL: 6061-T6 Aluminum  
 QTY: 1 Per Assembly  
 NOTES:



**44 Camera Side Mount Plate**  
 FILE NAME: 7208-601  
 SHEET NO.: 10  
 DFT. SCALE: 2:1  
 MATERIAL: 6061-T6 Aluminum  
 QTY: 1 Per Assembly  
 NOTES:



**45 Pin Modification**  
 FILE NAME: 7208-601  
 SHEET NO.: 10  
 DFT. SCALE: 4:1  
 MATERIAL: McMaster-Carr #90145A510  
 QTY: 1 Per Assembly  
 NOTES: 1.) Make From McMaster-Carr #90145A510 (18-8 Stainless Steel Dowel Pin, 3/16" Diameter, 1" Long)



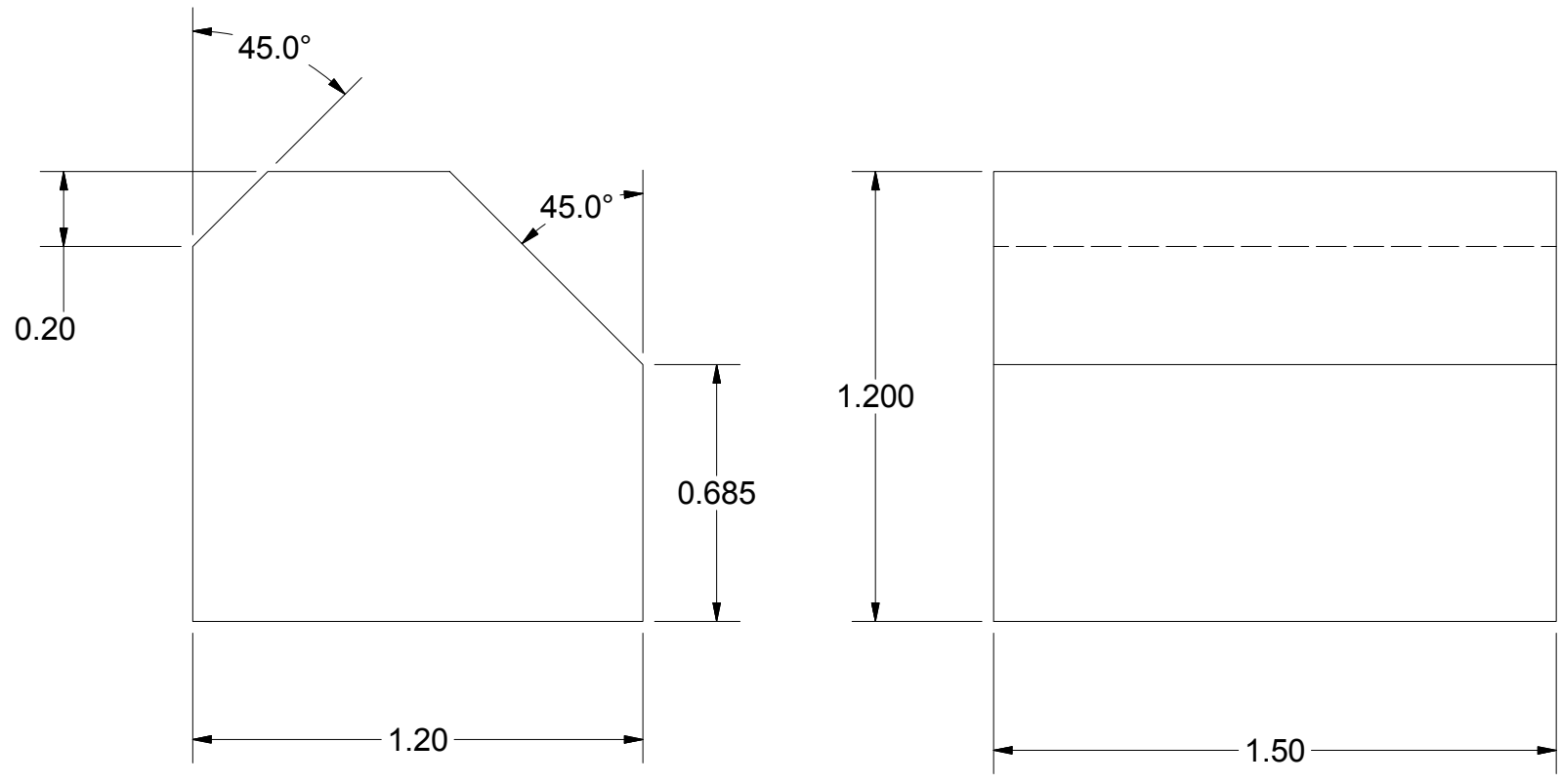
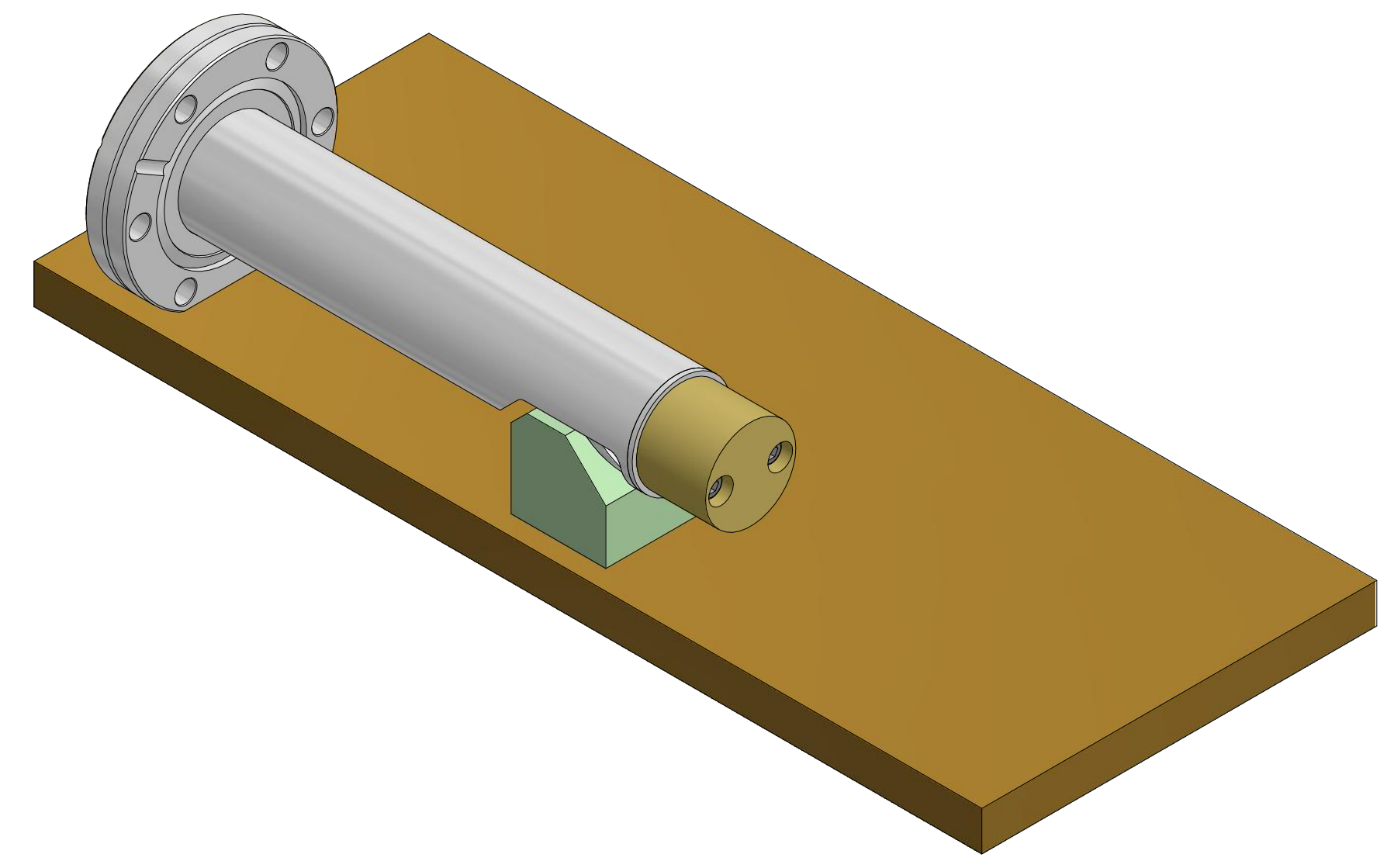
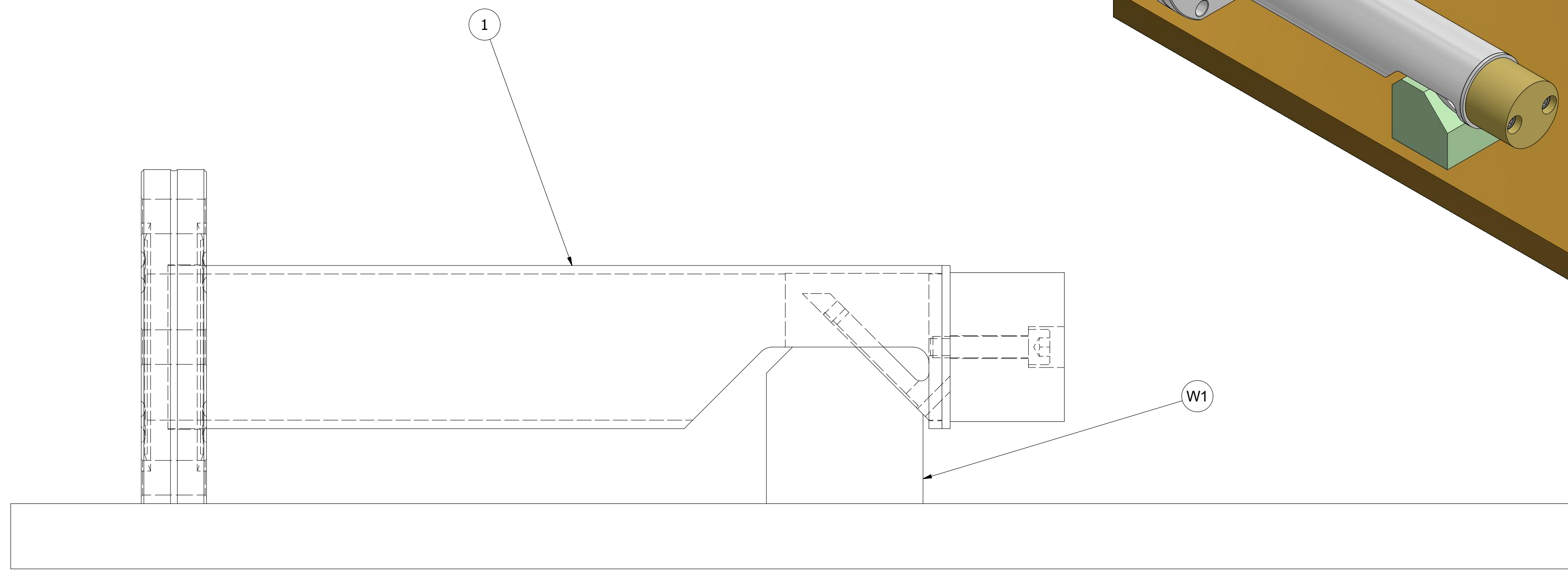
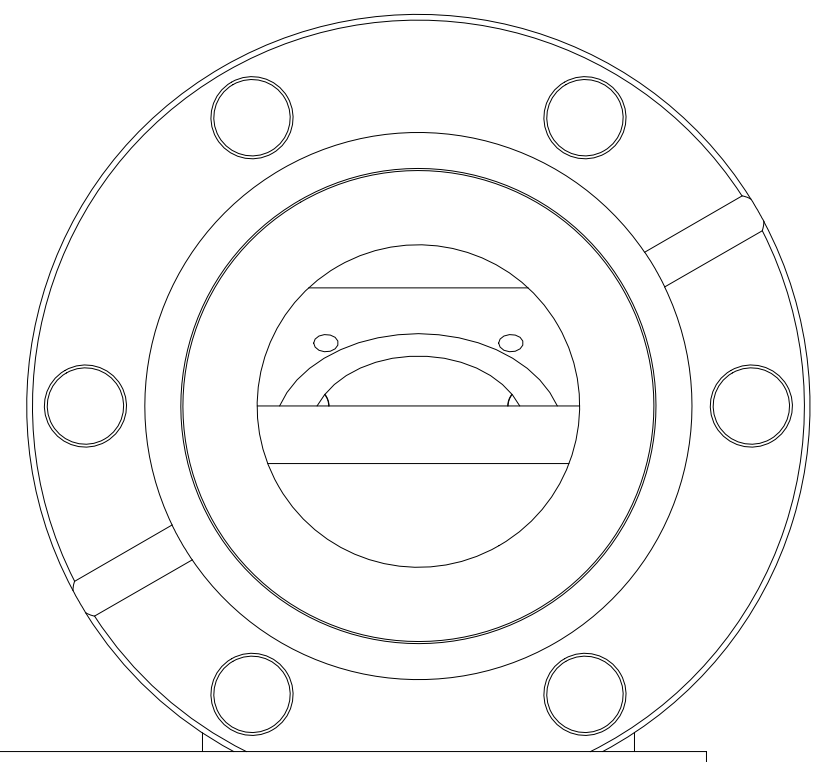
THESE DRAWINGS, WHICH CONTAIN PROPRIETARY INFORMATION, ARE THE PROPERTY OF CORNELL UNIVERSITY. USE OF THESE DRAWINGS BEYOND THE INTENDED PURPOSE IN SUPPORT OF OUR RESEARCH AS DESCRIBED AND FUNDED BY OUR SPONSORING AGENCIES MUST BE NEGOTIATED AND APPROVED IN ADVANCE BY CORNELL UNIVERSITY.

REV	PRINT DISTR.	ITEM	DWG. NO.	DESCRIPTION	G1	G2	G3	REMARKS	REV.
					QUANTITY				
D				PLOT DATE: 3/7/2018 CAD FILE NAME: 7208-601.idw					
7208-601 SH. NO. 10 OF 12	CR-1			UNLESS OTHERWISE SPECIFIED: DIMENSIONS ARE IN MILLIMETERS; TOLERANCES ON: X ± 0.5 XX ± 2 XXX ± 1 ANGLES ± 0.5° ALL SURFACES $\sqrt{R}$	 Cornell Laboratory for Accelerator-based ScienceS and Education (CLASSE)				
				CHECKED BY: J Turco APPROVED BY: Y Li	DRAWN BY S Hartman	DRAWN FOR Y Li	DATE 3/7/2018	SCALE D	7208-601 SH. NO. 10 OF 12

REVISIONS				
SYM	ZONE	DESCRIPTION	DATE	APP
		Initial Release	3/9/18	SWH

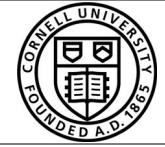
# Beam Viewer Sub-Assembly Welding Arrangement

See Sheet 2 for Part Description

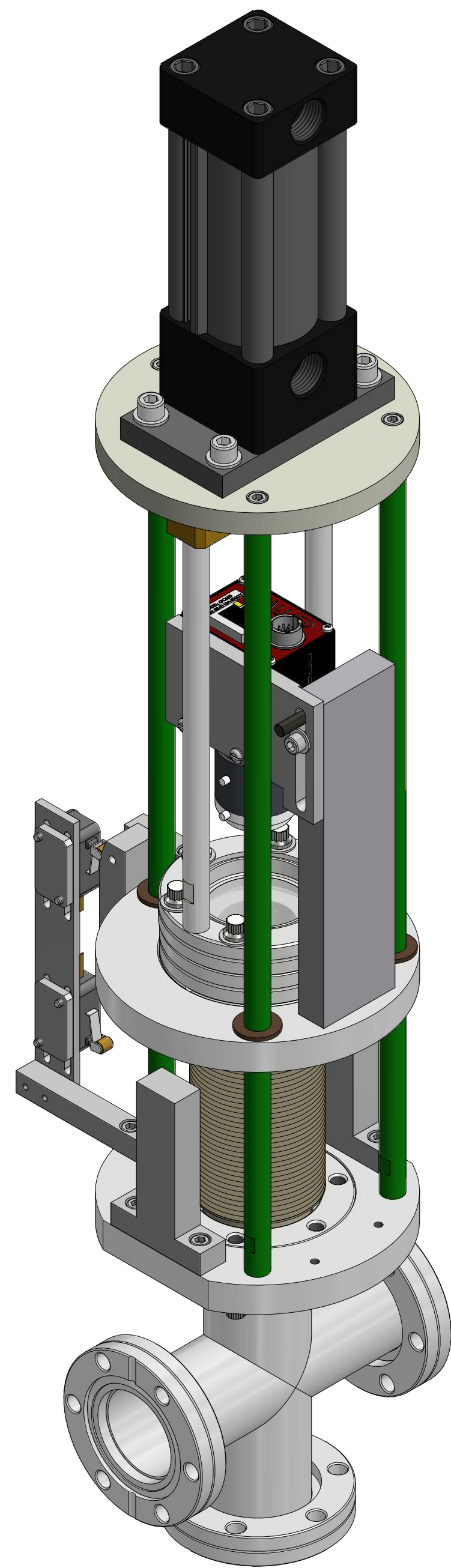


**W1** Alignment Block 1  
 FILE NAME: 7208-601  
 SHEET NO.: 11  
 DFT. SCALE: 2 : 1  
 MATERIAL: Alum-6061  
 QTY: 1  
 NOTES:

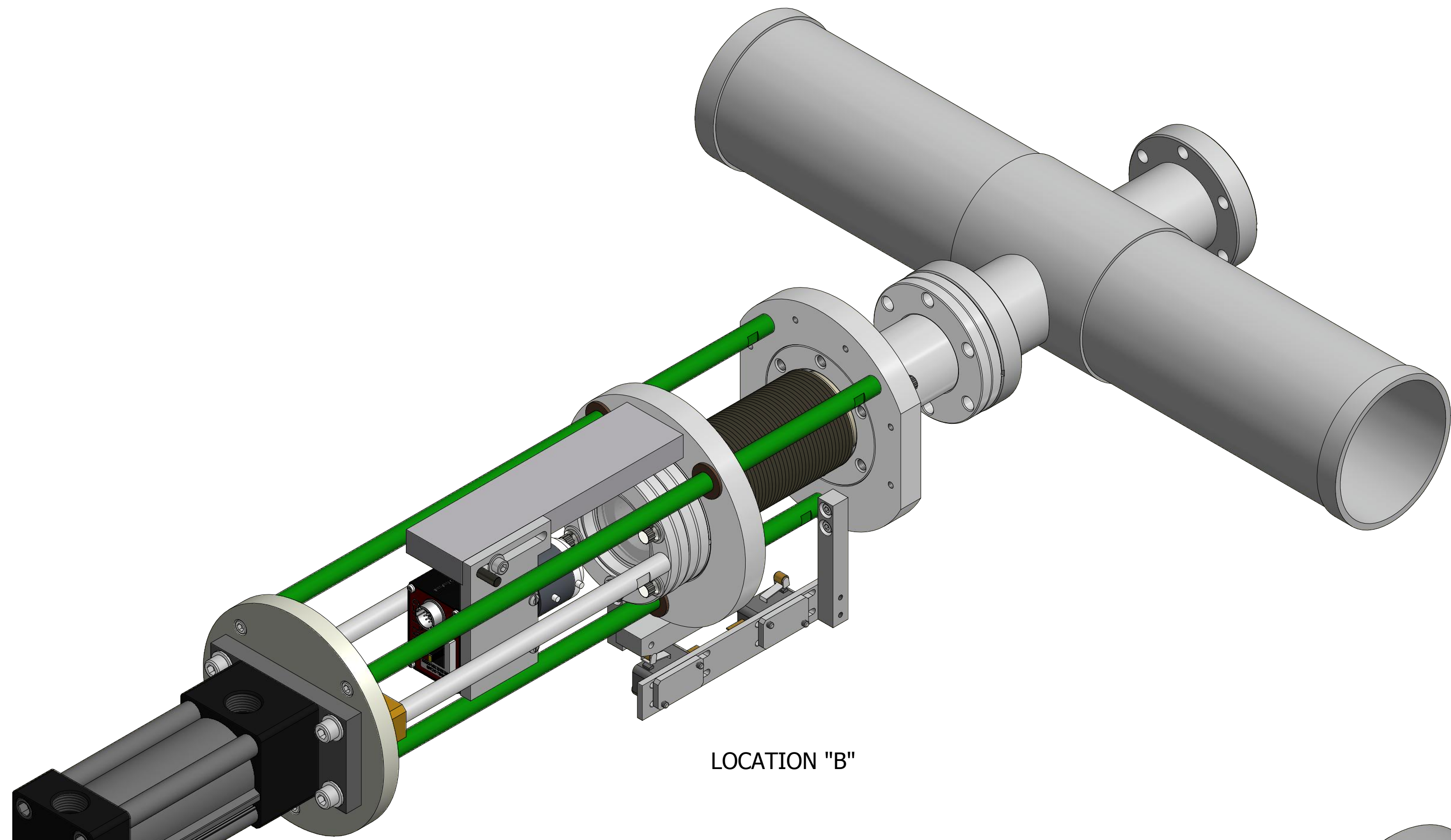
THESE DRAWINGS, WHICH CONTAIN PROPRIETARY INFORMATION, ARE THE PROPERTY OF CORNELL UNIVERSITY. USE OF THESE DRAWINGS BEYOND THE INTENDED PURPOSE IN SUPPORT OF OUR RESEARCH AS DESCRIBED AND FUNDED BY OUR SPONSORING AGENCIES MUST BE NEGOTIATED AND APPROVED IN ADVANCE BY CORNELL UNIVERSITY.

ITEM	DWG. NO.	DESCRIPTION	G1	G2	G3	REMARKS	REV.	
			QUANTITY					
<b>D</b>	PRINT DISTR.	PLOT DATE: 3/7/2018 CAD FILE NAME: 7208-601.idw						
<b>CR-1</b>	UNLESS OTHERWISE SPECIFIED: DIMENSIONS ARE IN MILLIMETERS; TOLERANCES ON: X ± 5 XX ± 2 XXX ± 1 ANGLES ± 0.5° ALL SURFACES $\sqrt{R}$	 Cornell Laboratory for Accelerator-based ScienceS and Education (CLASSE)						
<b>REV.</b>	7208-601 SH. NO. 11 OF 12	CHECKED BY: J Turco APPROVED BY: Y Li	DRAWN BY S Hartman	DRAWN FOR Y Li	DATE 3/7/2018	SCALE <b>D</b>	<b>7208-601</b> SH. NO. 11 OF 12	REV.

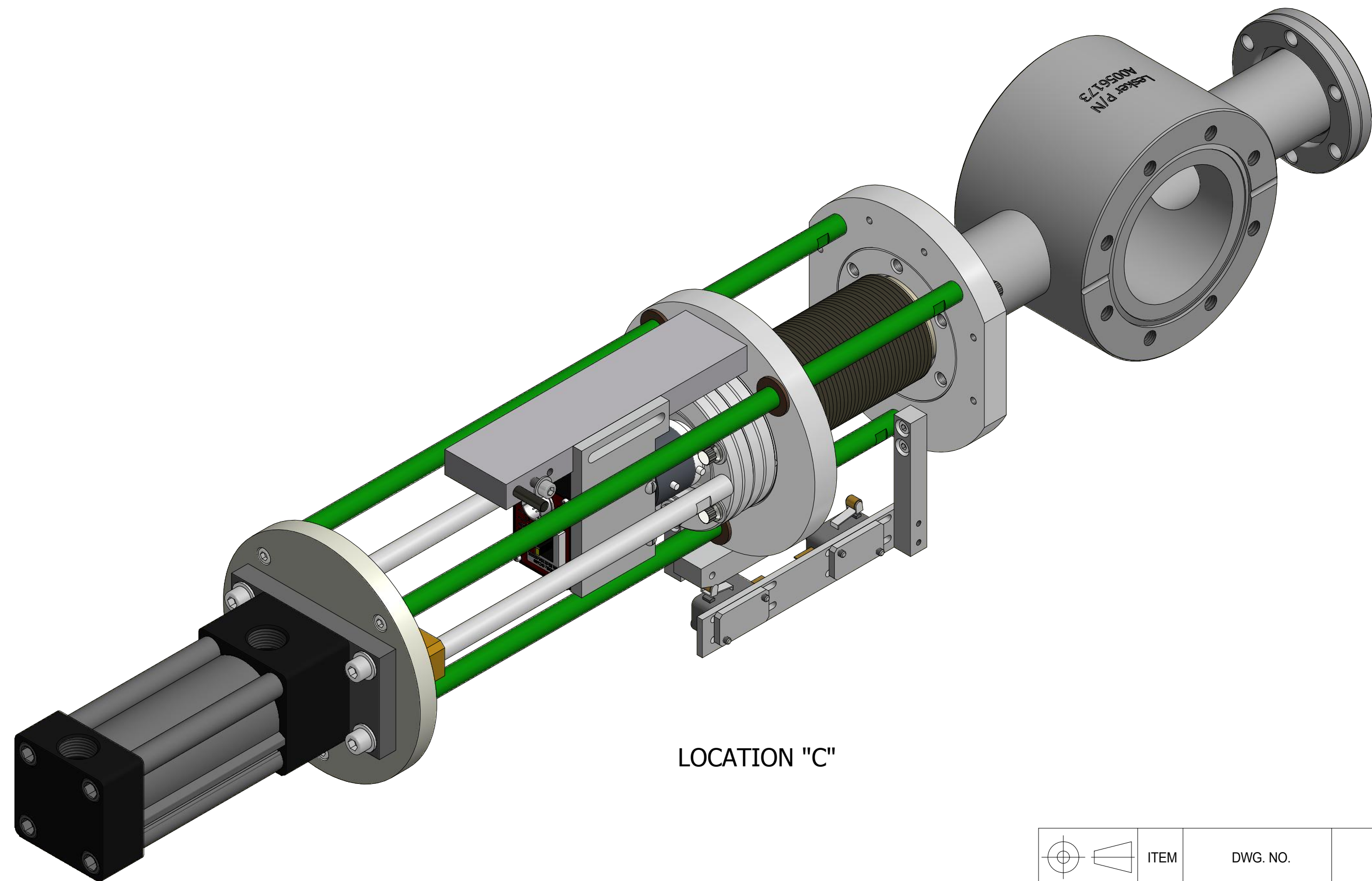
REVISIONS				
SYM	ZONE	DESCRIPTION	DATE	APP
		Initial Release	3/9/18	SWH



LOCATION "A"




LOCATION "B"



LOCATION "C"

THESE DRAWINGS, WHICH CONTAIN PROPRIETARY INFORMATION, ARE THE PROPERTY OF CORNELL UNIVERSITY. USE OF THESE DRAWINGS BEYOND THE INTENDED PURPOSE IN SUPPORT OF OUR RESEARCH AS DESCRIBED AND FUNDED BY OUR SPONSORING AGENCIES MUST BE NEGOTIATED AND APPROVED IN ADVANCE BY CORNELL UNIVERSITY.

ITEM	DWG. NO.	DESCRIPTION	G1	G2	G3	REMARKS	REV.
			QUANTITY				
<b>D</b>	PRINT DISTR.	PLOT DATE: 3/7/2018 CAD FILE NAME: 7208-601.idw					
CR-1	UNLESS OTHERWISE SPECIFIED: DIMENSIONS ARE IN MILLIMETERS; TOLERANCES ON: X ± 5 XX ± 2 XXX ± 1 ANGLES ± 0.5° ALL SURFACES $\sqrt{R}$	 Cornell Laboratory for Accelerator-based ScienceS and Education (CLASSE)					
7208-601	SH. NO. 12 OF 12	<b>Rear Mount Camera Viewer W/ Beam Stop Viewer Mounting Locations</b>					
REV.	CHECKED BY: J Turco APPROVED BY: Y Li	DRAWN BY S Hartman	DRAWN FOR Y Li	DATE 3/7/2018	SCALE <b>D</b>	7208-601 SH. NO. 12 OF 12	REV.